



Product Datasheets

**Hamitherm BV
Jade 216
3316 LJ Dordrecht
The Netherlands**

**Tel: +31-(0)78-6549976
Fax: +31-(0)78-6514601**

**info@hamitherm.nl
www.hamitherm.nl**



Connectors Miniature

• Connector Miniature	01.01.01
• Connector Miniature Economy	01.01.02
• Connector Miniature Locking	01.01.03
• Connector Miniature High Temperature	01.01.04
• Connector Miniature Ultra High Temperature	01.01.05
• Connector Miniature Ceramic	01.01.06
• Connector Miniature Three Pin	01.02.01
• Connector Miniature Duplex	01.03.01

PCB Connectors Miniature

• PCB Connector Miniature Flat mounting	01.04.01
• PCB Connector Miniature Rear mounting	01.04.02
• PCB Connector Miniature Side mounting	01.04.03
• PCB Connector Miniature Three Pin Flat mounting	01.04.04
• PCB Connector Miniature Three Pin Rear mounting	01.04.05
• PCB Connector Miniature Locking Flat mounting	01.04.06
• PCB Connector Miniature Locking Rear mounting	01.04.07
• PCB Connector Miniature Locking Jack PCB Side mounting	01.04.08
• PCB Connector Miniature High Temperature Flat mounting	01.04.09
• PCB Connector Miniature High Temperature Rear mounting	01.04.10
• PCB Connector Miniature High Temperature Side mounting	01.04.11
• PCB Connector Miniature Duplex Jack Side mounting	01.04.12
• PCB Connector Miniature Duplex Jack Rear mounting	01.04.13

Accessories Miniature

• Grommet	02.01.01
• Bending Protection	02.01.02
• Protection Boot	02.01.03
• Wire insert	02.02.01
• Locking Plate	02.02.02
• Crimp Insert	02.03.01
• Wire Clamp Bracket	02.03.02
• L-bracket Crimp adapter	02.03.03
• Braze/Crimp adapter	02.03.04

Connectors Standard

• Connector Standard	03.01.01
• Connector Standard Economy	03.01.02
• Connector Standard Jab-in	03.01.03
• Connector Standard High Temperature	03.01.04
• Connector Standard Ultra High Temperature	03.01.05
• Connector Standard Ceramic	03.01.06
• Connector Standard Ceramic Jab-in	03.01.07
• Connector Standard Three Pin	03.02.01
• Connector Standard Duplex	03.03.01
• Connector Standard Multiple Plug	03.04.01
• Connector Standard Multiple Jack	03.04.02



Accessories Standard

• Grommet	04.01.01
• Bending Protection	04.01.02
• Protection Boot	04.01.03
• Wire insert	04.02.01
• Crimp insert	04.03.01
• Stainless Steel Crimp-Braze adapter	04.03.02
• Locking clip	04.03.03
• Wire Clamp Bracket	04.04.01
• L-Bracket Crimp adapter	04.04.02
• Tube adapter	04.04.03
• U-Bracket Crimp-Braze	04.04.04
• U-Bracket Wire Clamp	04.04.05
• U-Bracket Tube adapter	04.04.06
• Duplex Bracket Tube Adapter Ultra High Temp	04.04.07
• L-Bracket	04.04.08

Panel Miniature Inserts

• Panel Miniature Insert	05.01.01
• Panel Miniature Insert Locking	05.01.02
• Panel Miniature Insert Flanged	05.01.03
• Panel Miniature Insert Lugged	05.01.04
• Panel Miniature Insert Round Direct Mount	05.01.05
• Panel Miniature Insert Round Bracket Mount	05.01.06
• Panel Miniature Insert High Temperature	05.01.07
• Panel Miniature Insert Three Pin Lugged	05.02.01

Panel Standard Inserts

• Panel Standard Insert	06.01.01
• Panel Standard Insert Flanged	06.01.02
• Panel Standard Insert Lugged	06.01.03
• Panel Standard Insert Round Direct Mount	06.01.04
• Panel Standard Insert Round Bracket Mount	06.01.05
• Panel Standard Insert High Temperature	06.01.06
• Panel Standard Insert High Temperature	06.01.07
• Panel Standard Insert Three Pin Lugged	06.02.01
• Panel Standard Insert Three Pin High Temperature	06.02.02

Panels

• Panel Set Miniature Horizontal	07.01.01
• Panel Set Miniature Locking	07.01.02
• Panel Set Miniature Vertical	07.01.03
• Panel Set Standard Horizontal	07.02.01
• Panel Set Standard Vertical	07.02.02
• Panel Assembly Miniature	08.01.01
• Panel Assembly Miniature Locking	08.01.02
• Panel Assembly Miniature Horizontal High Temp	08.01.03
• Panel Assembly Miniature Vertical	08.01.04
• Panel Assembly Miniature Three Pin Vertical	08.01.05
• Panel Assembly Standard Horizontal	08.02.01
• Panel Assembly Standard Vertical	08.02.02
• Panel Assembly Standard High Temperature	08.02.03
• Panel Assembly Standard Horizontal High Temp	08.02.04
• Panel Assembly Standard High Temperature	08.02.05
• Panel Assembly Standard Three Pin Vertical	08.02.06
• Panel Assembly Standard High Temperature Three Pin	08.03.01

**Panel Accessories**

- Panel Mounting Bracket Miniature 09.01.01
- Panel Mounting Bracket Standard 09.01.02
- Panel Mounting Kit 09.01.03

Terminals

- Barrier Terminal Block 10.01.01
- Rail Terminal Block 10.01.02
- Lugs 10.01.03

Tooling

- Crimptool 11.01.01
- Panel Punch 11.01.02

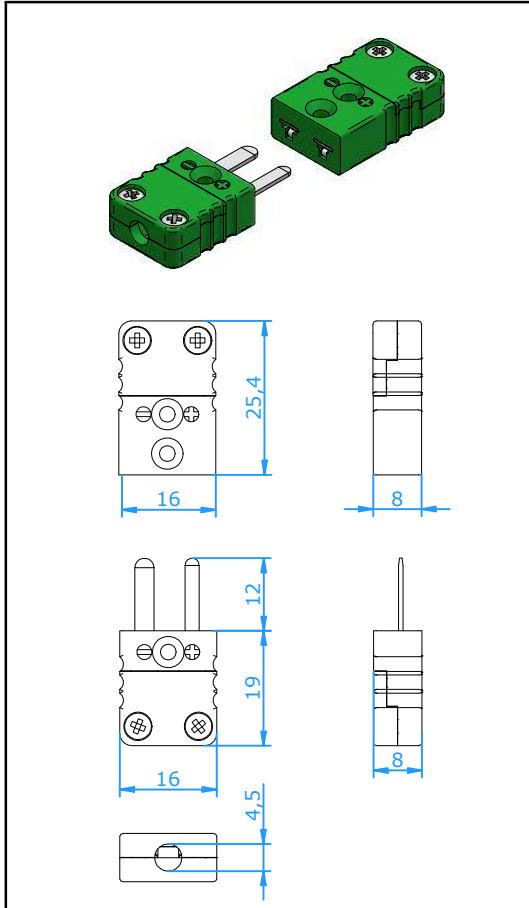
M8 – M12 Connectors

- M8 Connector Plug 12.01.01
- M8 Connector Jack 12.01.02
- M8 Panel Jack (female) 12.01.03
- M12 Connector Plug 12.02.01
- M12 Connector Jack 12.02.02
- M12 Panel Jack (female) 12.02.03



Connectors

Connector Miniature



Application

Connector for thermocouple and RTD circuits. Suited for small wires and mineral insulated cables.

Construction

- Glass filled high quality thermoplastic body with original thermocouple material pins and springloaded inserts.
- Polarized pins ensure proper connection.
- Easy wire connection through sandwich construction.
- Molded barriers prevent short circuit.
- Rugged one body design.
- Stainless Steel screws with Phillips head

Wire size

- Accepts wires up to 0,6 mm.
- Maximum cable diameter 4,5 mm.

Temperature rating

- 220 °C Max.

Color Code

- Available in all color code standards incl. NFE, BS, JIS, etc.

Accessories:

- See separate specification sheet.

Ordering Code Plug: CMP-xx
Jack: CMJ-xx

For last two digits 'xx' see table below

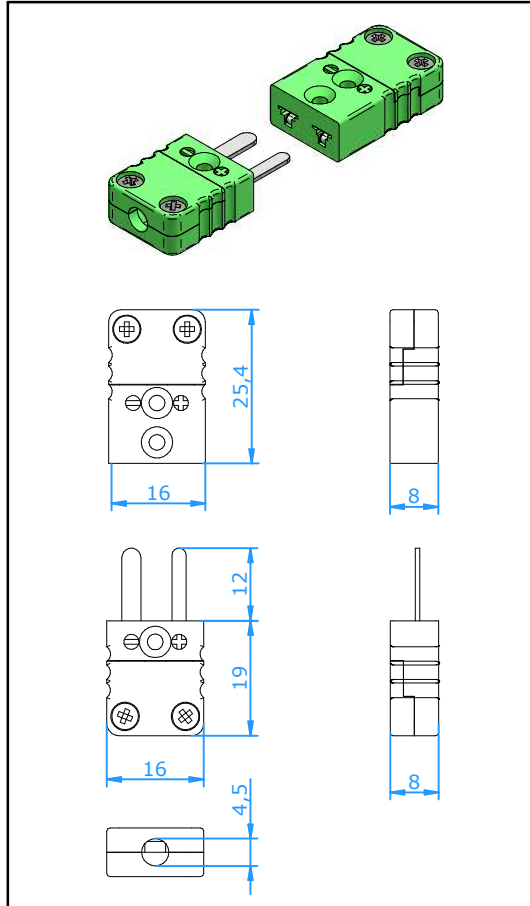
Calibration Code	E	J	K	N	T	U	R/S	C	B
Compensation material for Material Positive	NiCr	Fe	NiCr	NiCrSi	Cu	Cu	Pt13Rh/ Pt	W5Re/ W26Re	Pt6Rh/ Pt30Rh
Material Negative	CuNi	CuNi	NiAl	NiSi	CuNi	Cu	Cu Alloy #11	CPX CNX	Cu Cu
IEC Color Code									
Color Body	Violet	Black	Green	Pink	Brown	White	Orange	Red	Grey
Code	EI	JI	KI	NI	TI	UI	RI	C	BI
ANSI Color Code									
Color Body	Violet	Black	Yellow	Orange	Blue	White	Green	Red	Grey
Code	EI	JI	KA	NA	TA	UI	RA	C	BI
DIN Color Code									
Color Body		Blue	Green		Brown		White		Grey
Code		JD	KI		TI		RD		BI

Note: Contacts with a hard nickel- or gold-plating are available, please add "NP" or "GP" after the calibration code



Connectors

Connector Miniature Economy



Application

Connector for thermocouple circuits. Suited for small wires and mineral insulated cables. Especially designed for cost sensitive applications.

Construction

- Glass filled Nylon body with original thermocouple material pins and springloaded inserts.
- Polarized pins ensure proper connection.
- Molded barriers prevent short circuit.
- Rugged one body design.
- Zinc plated steel screws with Phillips head

Wire size

- Accepts wires up to 0,6 mm.
- Maximum cable diameter 4,5 mm.

Temperature rating

- 180 °C Max.

Color Code

- Available according to ANSI and IEC, see table below

Accessories

- See separate specification sheet.

Ordering Code Plug: CMPE-xx
Jack: CMJE-xx

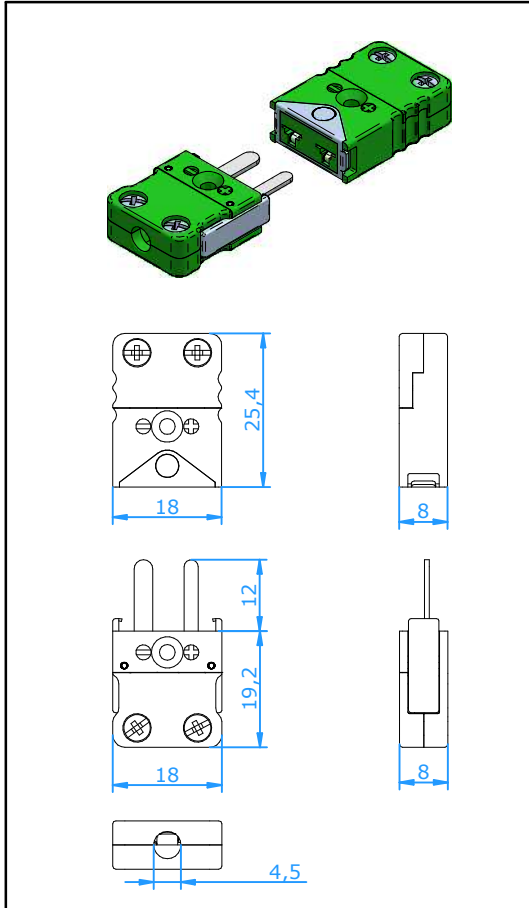
For last two digits 'xx' see table below

Calibration Code	J	K	N	T	R/S
Compensation Material for Contact Material Positive	Fe	NiCr	NiCrSi	Cu	Pt13Rh/Pt
Contact Material Negative	CuNi	NiAl	NiSi	CuNi	Cu Alloy #11
IEC Color Code					
Color Body	Black	Green	Pink	Brown	Orange
Code	JI	KI	NI	TI	RI
ANSI Color Code					
Color Body	Black	Yellow	Pink	Blue	Green
Code	JI	KA	NA	TA	RA



Connectors

Connector Miniature Locking



Application

Self locking connector pair for thermocouple and RTD circuits. Locking feature prevents unwanted disconnection due to vibration etc. Suited for small wires and mineral insulated cables.

Construction

- Glass filled high quality thermoplastic body with original thermocouple material pins and springloaded inserts.
- Polarized pins ensure proper connection.
- Easy wire connection through sandwich construction.
- Molded barriers prevent short circuit.
- Rugged one body design.
- Stainless Steel screws with Phillips head
- Stainless steel locking clip
- Locking Connector Miniature also fits on our partnumbers CMP and CMJ

Wire size

- Accepts wires up to 0,6 mm.
- Maximum cable diameter 4,5 mm.

Temperature rating

- 220 °C Max.

Color Code

- Available in all color code standards incl. NFE, BS, JIS, etc.

Accessories:

- See separate specification sheet.

Ordering Code Plug: CMLP-xx
Jack: CMLJ-xx

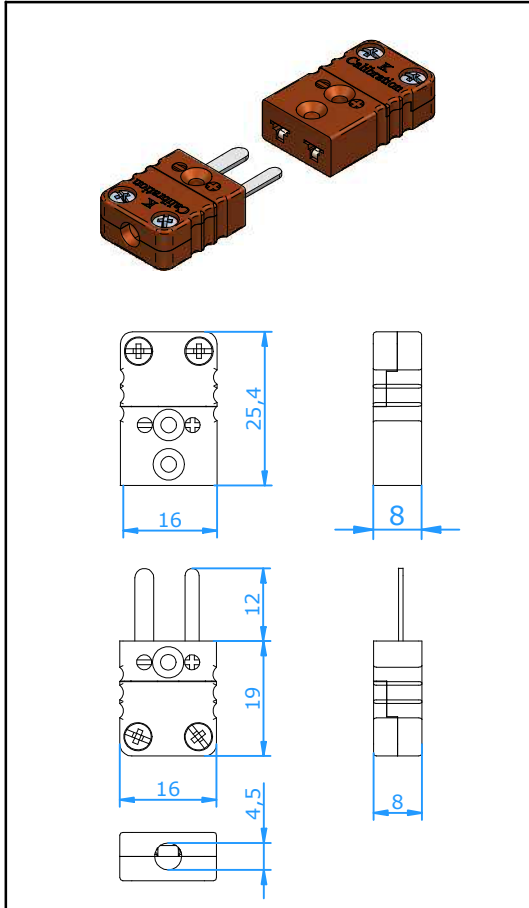
For last two digits 'xx' see table below

Calibration Code	E	J	K	N	T	U	R/S	C	B
Compensation material for Material Positive							Pt13Rh/ Pt	W5Re/ W26Re	Pt6Rh/ Pt30Rh
Material Negative	NiCr CuNi	Fe CuNi	NiCr NiAl	NiCrSi NiSi	Cu CuNi	Cu Cu	Cu Alloy #11	CPX CNX	Cu Cu
IEC Color Code									
Color Body	Violet	Black	Green	Pink	Brown	White	Orange	Red	Grey
Code	EI	JI	KI	NI	TI	UI	RI	C	BI
ANSI Color Code									
Color Body	Violet	Black	Yellow	Orange	Blue	White	Green	Red	Grey
Code	EI	JI	KA	NA	TA	UI	RA	C	BI
DIN Color Code									
Color Body		Blue	Green		Brown		White		Grey
Code		JD	KI		TI		RD		BI



Connectors

Connector Miniature High Temperature



Application

Connector for thermocouple and RTD circuits. Suited for small wires and mineral insulated cables. Thermoset material designed for use at high temperatures.

Construction

- body of thermoset material with original thermocouple material pins and springloaded inserts.
- Polarized pins ensure proper connection.
- Easy wire connection through sandwich construction.
- Molded barriers prevent short circuit.
- Rugged one body design.

Wire size

- Accepts wires up to 0,6 mm.
- Maximum cable diameter 4,5 mm.

Temperature rating

- 350 °C Max.

Color Code

- Body color brown. Calibration indication printed on cover.

Accessories

- See separate specification sheet.

Ordering Code Plug: CMPH-x
Jack: CMJH-x

'x' is Calibration Code (see tabel below)

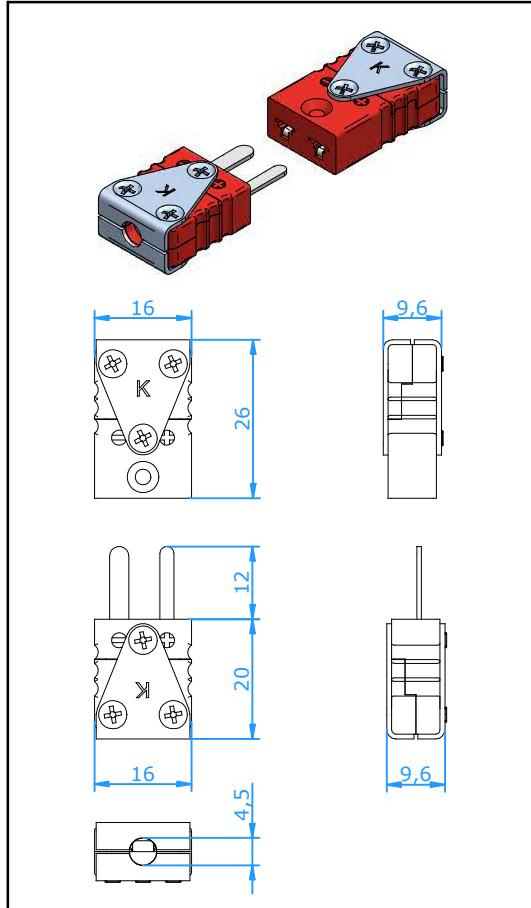
Calibration Code Compensation material for	E	J	K	N	T	U	R/S Pt13Rh/ Pt	C W5Re/ W26Re	B Pt6Rh/ Pt30Rh
Material Positive	NiCr	Fe	NiCr	NiCrSi	Cu	Cu ¹⁾	Cu	CPX	Cu ¹⁾
Material Negative	CuNi	CuNi	NiAl	NiSi	CuNi	Cu ¹⁾	Alloy #11	CNX	Cu ¹⁾

Note: Contacts with a hard nickel- or gold-plating are available, please add "NP" or "GP" after the calibration code



Connectors

Connector Miniature Ultra High Temperature



Application

Connector for thermocouple and RTD circuits. Suited for small wires and mineral insulated cables. Plastic compound designed for use at elevated temperatures.

Construction

- body of ultra high temp thermoset compound with original thermocouple material pins and springloaded inserts.
- Polarized pins ensure proper connection.
- Easy wire connection through sandwich construction.
- Molded barriers prevent short circuit.
- Rugged one body design.
- Stainless steel bracket and screws to increase strength of the connector body

Wire size

- Accepts wires up to 0,6 mm.
- Maximum cable diameter 4,5 mm.

Temperature rating

- 425 °C continuous, 540 °C intermittent

Color Code

- Body color brown. Calibration indication stamped on the stainless steel top-bracket.

Accessories

- See separate specification sheet.

Ordering Code Plug: **CMPU-x**
Jack: **CMJU-x**

'x' is Calibration Code (see tabel below)

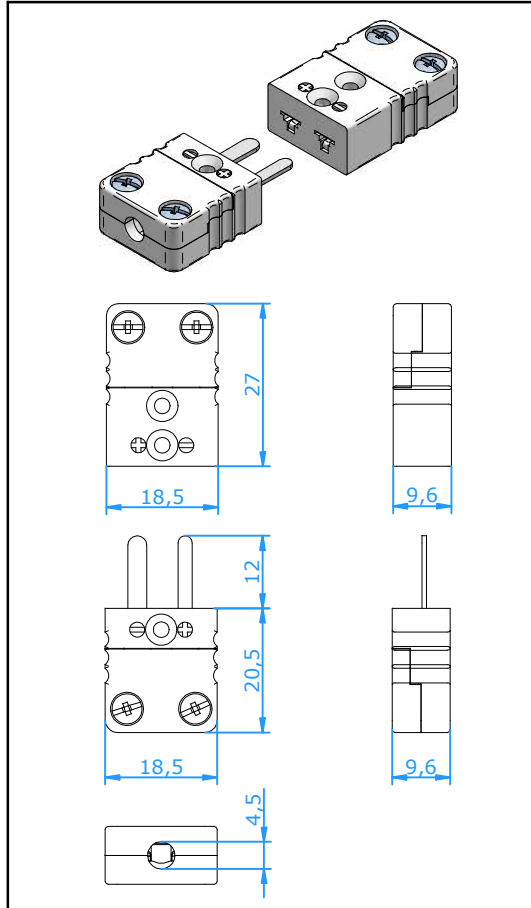
Calibration Code Compensation material for	E	J	K	N	T	U	R/S	C	B
							Pt13Rh/ Pt	W5Re/ W26Re	Pt6Rh/ Pt30Rh
Material Positive	NiCr	Fe	NiCr	NiCrSi	Cu	Cu ¹⁾	Cu	CPX	Cu ¹⁾
Material Negative	CuNi	CuNi	NiAl	NiSi	CuNi	Cu ¹⁾	Alloy #11	CNX	Cu ¹⁾

Note: Contacts with a hard nickel- or gold-plating are available, please add "NP" or "GP" after the calibration code



Connectors

Connector Miniature Ceramic



Application

Connector for thermocouple and RTD circuits. Suited for small wires and mineral insulated cables.

Construction

- Ceramic body with original thermocouple material pins and springloaded inserts.
- Polarized pins ensure proper connection.
- Oversize screw head for easy wiring.
- One body design
- High purity alumina body material

Wire size

- Accepts wires up to 0,6 mm.
- Maximum cable diameter 4,5 mm.

Temperature rating:

- 650 °C Max.

Color Code

- Body color white. Calibration indication by colored dot

Accessories:

- Crimp-inserts and wire clamp bracket available, please see separate specification sheet

Ordering Code Plug: CMPC-xx
Jack: CMJC-xx

For last two digits 'xx' see table below

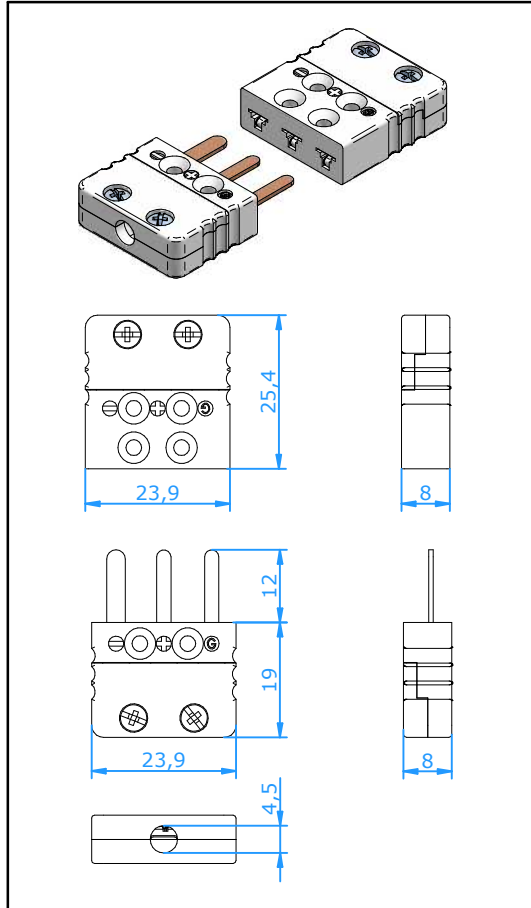
Calibration Code	E	J	K	N	T	U	R/S	C	B
Compensation material for Material Positive	NiCr	Fe	NiCr	NiCrSi	Cu	Cu ¹⁾	Pt13Rh/ Pt	W5Re/ W26Re	Pt6Rh/ Pt30Rh
Material Negative	CuNi	CuNi	NiAl	NiSi	CuNi	Cu ¹⁾	Cu	CPX	Cu ¹⁾
							Alloy #11	CNX	Cu ¹⁾
IEC Color Code									
Color Dot	Violet	Black	Green	Pink	Brown	White	Orange	Red	Grey
Code	EI	JI	KI	NI	TI	UI	RI	C	BI
ANSI Color Code									
Color Dot	Violet	Black	Yellow	Orange	Blue	White	Green	Red	Grey
Code	EI	JI	KA	NA	TA	UI	RA	C	BI
DIN Color Code									
Color Dot		Blue	Green		Brown		White		Grey
Code		JD	KI		TI		RD		BI

Note: Contacts with a hard nickel- or gold-plating are available, please add "NP" or "GP" after the calibration code



Connectors

Connector Miniature Three Pin



Application

Connector for thermocouple and RTD circuits. Suited for small wires and mineral insulated cable.

Third connection for ground or continuous shield connection or for three wire RTD's.

Construction

- Glass filled thermoplastic body with original thermocouple material pins and springloaded inserts.
- Polarized pins ensure proper connection.
- Easy wire connection through sandwich construction.
- Molded barriers prevent short circuit.
- Rugged one body design.

Wire size

- Accepts wires up to 0,6 mm.
- Maximum cable diameter 4,5 mm.

Temperature rating

- 220 °C Max.

Color code

- Available in all color code standards. Incl NFE, BS, JIS, etc.

Accessories

- Most accessories for the miniature connectors can be fitted. See separate specification sheet.

Ordering Code Plug: CMPT-xx
Jack: CMJT-xx

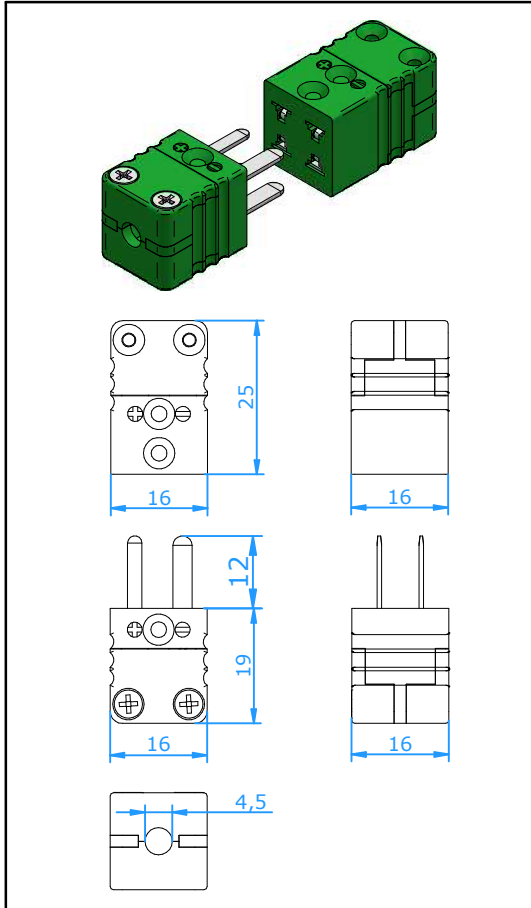
For last two digits 'xx' see table below

Calibration Code	E	J	K	N	T	U	R/S	C	B
Compensation material for Material Positive	NiCr	Fe	NiCr	NiCrSi	Cu	Cu	Pt13Rh/ Pt	W5Re/ W26Re	Pt6Rh/ Pt30Rh
Material Negative	CuNi	CuNi	NiAl	NiSi	CuNi	Cu	Cu Alloy #11	CPX CNX	Cu Cu
IEC Color Code									
Color Body	Violet	Black	Green	Pink	Brown	White	Orange	Red	Grey
Code	EI	JI	KI	NI	TI	UI	RI	C	BI
ANSI Color Code									
Color Body	Violet	Black	Yellow	Orange	Blue	White	Green	Red	Grey
Code	EI	JI	KA	NA	TA	UI	RA	C	BI
DIN Color Code									
Color Body		Blue	Green		Brown		White		Grey
Code		JD	KI		TI		RD		BI



Connectors

Connector Miniature Duplex



Application

Connector for thermocouple and RTD circuits. Suited for small wires and mineral insulated cable. Can be used for 4-wire RTD's.

Construction

- Glass filled thermoplastic body with original thermocouple material pins and springloaded inserts.
- Polarized pins ensure proper connection.
- Easy wire connection through sandwich construction.
- Molded barriers prevent short circuit.
- Rugged one body design.

Wire size

- Accepts wires up to 0,6 mm.
- Maximum cable diameter 4,5 mm.

Temperature rating

- 220 °C Max.

Color Code

- Available in all color code standards. Incl. NFE, BS, JIS, etc.

Accessories

- Crimpinserts and wire clamp bracket, see separate specification sheet.

Ordering Code Plug: **CMPD-xx**
Jack: **CMJD-xx**

For last two digits 'xx' see tabel below)

Calibration Code	E	J	K	N	T	U	R/S	C	B
Compensation material for Material Positive	NiCr	Fe	NiCr	NiCrSi	Cu	Cu	Pt13Rh/ Pt	W5Re/ W26Re	Pt6Rh/ Pt30Rh
Material Negative	CuNi	CuNi	NiAl	NiSi	CuNi	Cu	Cu Alloy #11	CPX CNX	Cu Cu
IEC Color Code									
Color Body	Violet	Black	Green	Pink	Brown	White	Orange	Red	Grey
Code	EI	JI	KI	NI	TI	UI	RI	C	BI
ANSI Color Code									
Color Body	Violet	Black	Yellow	Orange	Blue	White	Green	Red	Grey
Code	EI	JI	KA	NA	TA	UI	RA	C	BI
DIN Color Code									
Color Body		Blue	Green		Brown		White		Grey
Code		JD	KI		TI		RD		BI

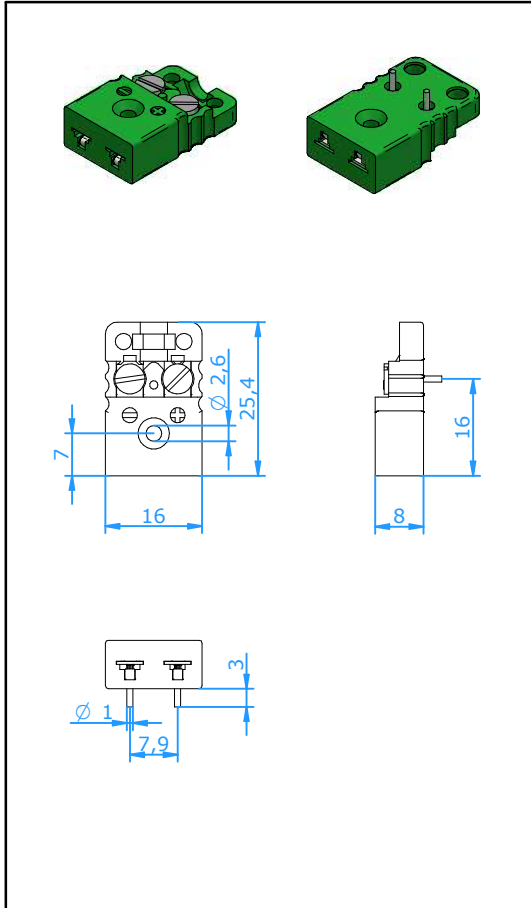
Note: Contacts with a hard nickel- or gold-plating are available, please add "NP" or "GP" after the calibration code





Connectors

Connector Miniature Jack PCB Flat Mounting



Application

Miniature Jack/Socket for thermocouple and RTD circuits. Designed for direct soldering onto printed circuit boards.

This version is suitable for flat mounting, other versions available, please see separate specification sheet.

Construction

- Glass filled thermoplastic body with original thermocouple material pins and springloaded inserts.
- Brass screws with silver plating
- Rugged one body design.

Temperature rating

- 220 °C Max.

Color Code

- Available in all color code standards incl. NFE, BS, JIS, etc.

Ordering Code

CMJ-xxPF

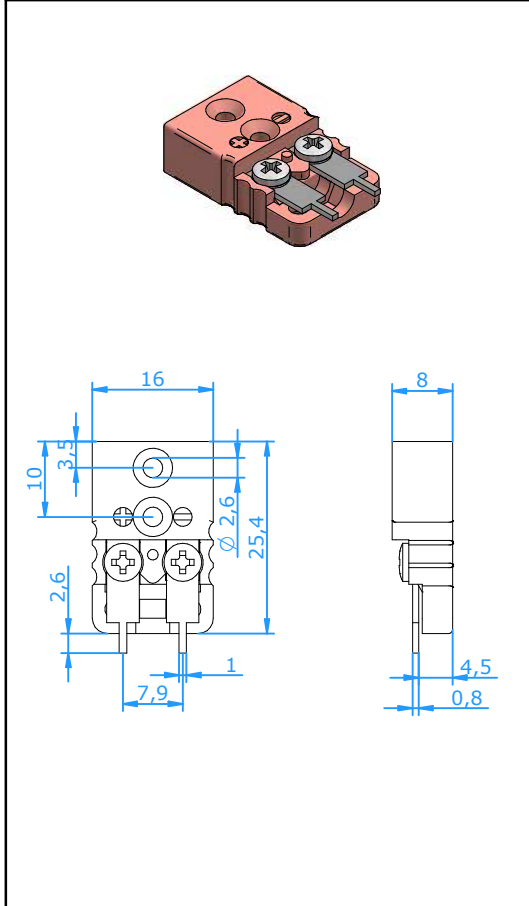
For last two digits 'xx' see table below

Calibration Code	E	J	K	N	T	U	R/S	C	B
Compensation material for Material Positive	NiCr	Fe	NiCr	NiCrSi	Cu	Cu	Pt13Rh/ Pt	W5Re/ W26Re	Pt6Rh/ Pt30Rh
Material Negative	CuNi	CuNi	NiAl	NiSi	CuNi	Cu	Cu Alloy #11	CPX CNX	Cu Cu
IEC Color Code									
Color Body	Violet	Black	Green	Pink	Brown	White	Orange	Red	Grey
Code	EI	JI	KI	NI	TI	UI	RI	C	BI
ANSI Color Code									
Color Body	Violet	Black	Yellow	Orange	Blue	White	Green	Red	Grey
Code	EI	JI	KA	NA	TA	UI	RA	C	BI
DIN Color Code									
Color Body		Blue	Green		Brown		White		Grey
Code		JD	KI		TI		RD		BI



Connectors

Connector Miniature Jack PCB Rear Mounting



Application

Miniature Jack/Socket for thermocouple and RTD circuits. Designed for direct soldering onto printed circuit boards.

This version is suitable for rear mounting, other versions available, please see separate specification sheet.

Construction

- Glass filled thermoplastic body with original thermocouple material pins and springloaded inserts.
- Copper pins with silverplating
- Rugged one body design.

Temperature rating

- 220 °C Max.

Color Code

- Available in all color code standards incl. NFE, BS, JIS, etc.

Ordering Code

CMJ-xxPR

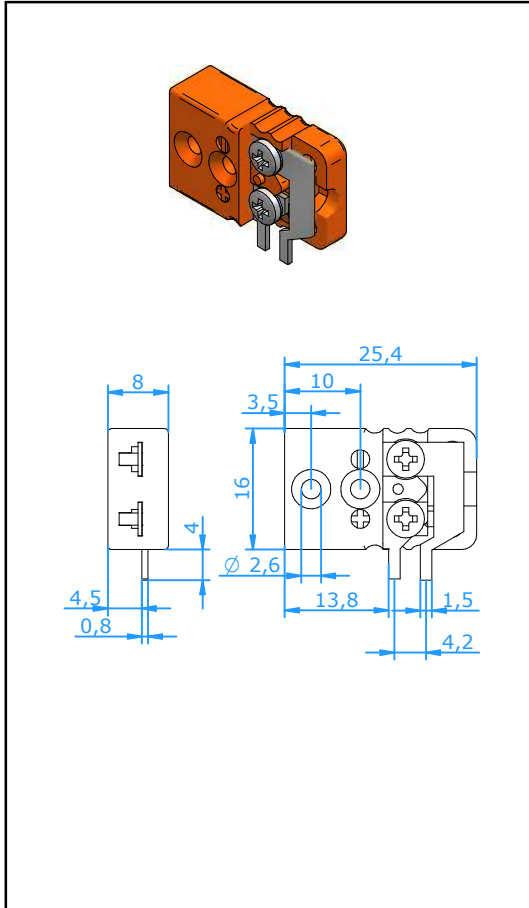
For last two digits 'xx' see table below

Calibration Code	E	J	K	N	T	U	R/S	C	B
Compensation material for							Pt13Rh/ Pt	W5Re/ W26Re	Pt6Rh/ Pt30Rh
Material Positive	NiCr	Fe	NiCr	NiCrSi	Cu	Cu	Cu	CPX	Cu
Material Negative	CuNi	CuNi	NiAl	NiSi	CuNi	Cu	Alloy #11	CNX	Cu
IEC Color Code									
Color Body	Violet	Black	Green	Pink	Brown	White	Orange	Red	Grey
Code	EI	JI	KI	NI	TI	UI	RI	C	BI
ANSI Color Code									
Color Body	Violet	Black	Yellow	Orange	Blue	White	Green	Red	Grey
Code	EI	JI	KA	NA	TA	UI	RA	C	BI
DIN Color Code									
Color Body		Blue	Green		Brown		White		Grey
Code		JD	KI		TI		RD		BI



Connectors

Connector Miniature Jack PCB Side Mounting



Application

Miniature Jack/Socket for thermocouple and RTD circuits. Designed for direct soldering onto printed circuit boards.

This version is suitable for side mounting, other versions available, please see separate specification sheet.

Construction

- Glass filled thermoplastic body with original thermocouple material pins and springloaded inserts.
- Copper pins with silver plating
- Rugged one body design.

Temperature rating

- 220 °C Max.

Color Code

- Available in all color code standards incl. NFE, BS, JIS, etc.

Ordering Code

CMJ-xxPS

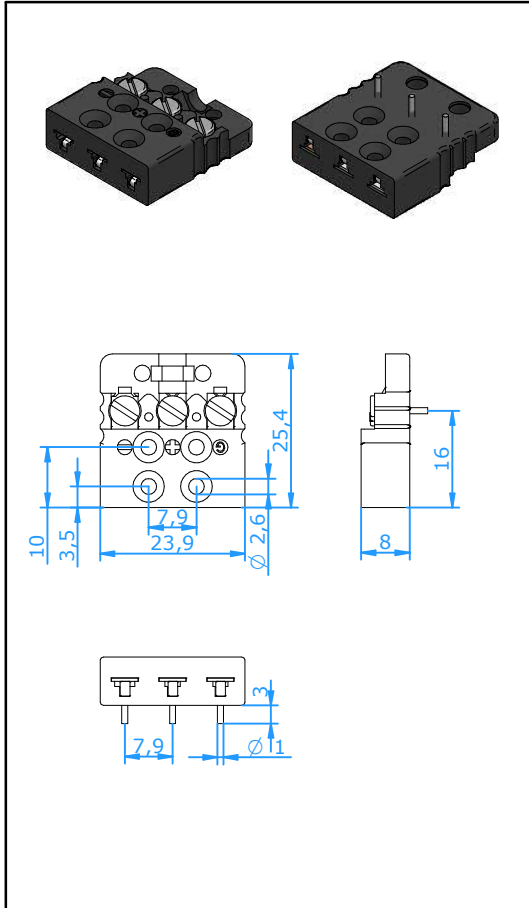
For last two digits 'xx' see table below

Calibration Code	E	J	K	N	T	U	R/S	C	B
Compensation material for Material Positive	NiCr	Fe	NiCr	NiCrSi	Cu	Cu	Pt13Rh/ Pt	W5Re/ W26Re	Pt6Rh/ Pt30Rh
Material Negative	CuNi	CuNi	NiAl	NiSi	CuNi	Cu	Cu Alloy #11	CPX CNX	Cu Cu
IEC Color Code									
Color Body	Violet	Black	Green	Pink	Brown	White	Orange	Red	Grey
Code	EI	JI	KI	NI	TI	UI	RI	C	BI
ANSI Color Code									
Color Body	Violet	Black	Yellow	Orange	Blue	White	Green	Red	Grey
Code	EI	JI	KA	NA	TA	UI	RA	C	BI
DIN Color Code									
Color Body		Blue	Green		Brown		White		Grey
Code		JD	KI		TI		RD		BI



Connectors

Connector Miniature Jack Three Pin PCB Flat Mounting



Application

Miniature Jack/Socket for thermocouple and RTD circuits. Designed for direct soldering onto printed circuit boards.

This version is suitable for flat mounting, other versions available, please see separate specification sheet.

Construction

- Glass filled thermoplastic body with original thermocouple material pins and springloaded inserts.
- Brass screws with silver plating
- Rugged one body design.

Temperature rating

- 220 °C Max.

Color Code

- Available in all color code standards incl. NFE, BS, JIS, etc.

Ordering Code

CMJT-xxPF

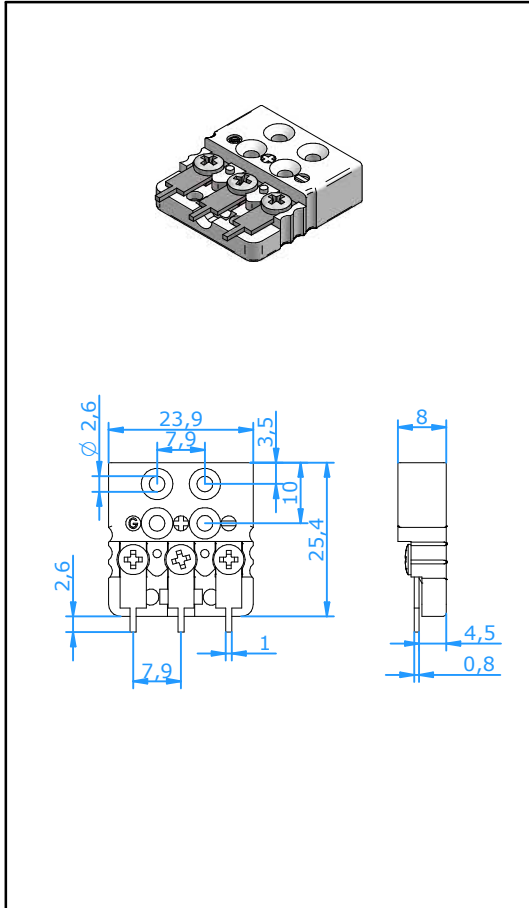
For last two digits 'xx' see table below

Calibration Code	E	J	K	N	T	U	R/S	C	B
Compensation material for Material Positive							Pt13Rh/ Pt	W5Re/ W26Re	Pt6Rh/ Pt30Rh
Material Negative	NiCr CuNi	Fe CuNi	NiCr NiAl	NiCrSi NiSi	Cu CuNi	Cu Cu	Cu Alloy #11	CPX CNX	Cu Cu
IEC Color Code									
Color Body	Violet	Black	Green	Pink	Brown	White	Orange	Red	Grey
Code	EI	JI	KI	NI	TI	UI	RI	C	BI
ANSI Color Code									
Color Body	Violet	Black	Yellow	Orange	Blue	White	Green	Red	Grey
Code	EI	JI	KA	NA	TA	UI	RA	C	BI
DIN Color Code									
Color Body		Blue	Green		Brown		White		Grey
Code		JD	KI		TI		RD		BI



Connectors

Connector Miniature Jack Three Pin PCB Rear Mounting



Application

Miniature Jack/Socket for thermocouple and RTD circuits. Designed for direct soldering onto printed circuit boards.

This version is suitable for rear mounting, other versions available, please see separate specification sheet.

Construction

- Glass filled thermoplastic body with original thermocouple material pins and springloaded inserts.
- Copper pins with silver plating
- Rugged one body design.

Temperature rating

- 220 °C Max.

Color Code

- Available in all color code standards incl. NFE, BS, JIS, etc.

Ordering Code

CMJT-xxPR

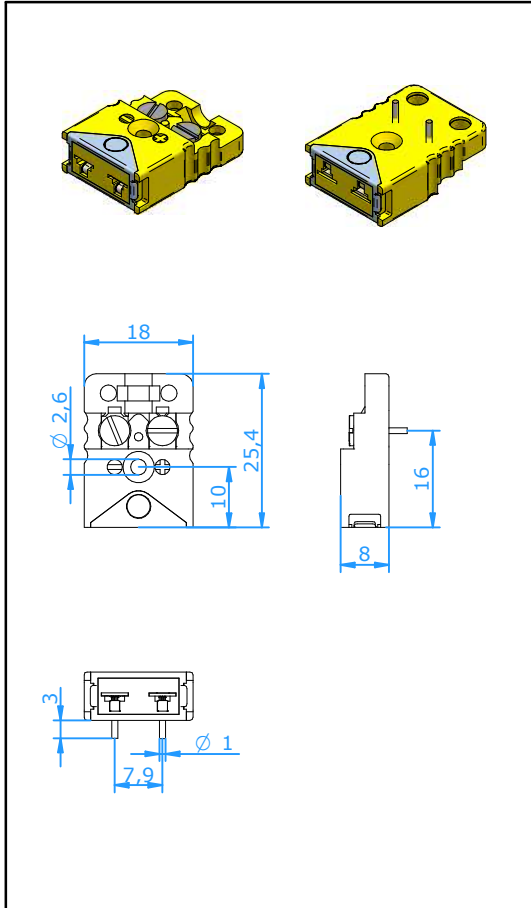
For last two digits 'xx' see table below

Calibration Code	E	J	K	N	T	U	R/S	C	B
Compensation material for Material Positive							Pt13Rh/ Pt	W5Re/ W26Re	Pt6Rh/ Pt30Rh
Material Negative	NiCr CuNi	Fe CuNi	NiCr NiAl	NiCrSi NiSi	Cu CuNi	Cu Cu	Cu Alloy #11	CPX CNX	Cu Cu
IEC Color Code									
Color Body	Violet	Black	Green	Pink	Brown	White	Orange	Red	Grey
Code	EI	JI	KI	NI	TI	UI	RI	C	BI
ANSI Color Code									
Color Body	Violet	Black	Yellow	Orange	Blue	White	Green	Red	Grey
Code	EI	JI	KA	NA	TA	UI	RA	C	BI
DIN Color Code									
Color Body		Blue	Green		Brown		White		Grey
Code		JD	KI		TI		RD		BI



Connectors

Connector Miniature Locking Jack PCB Flat Mounting



Application

Miniature Locking Jack/Socket for thermocouple and RTD circuits. Locking feature prevents unwanted disconnection due to vibration etc. Designed for direct soldering onto printed circuit boards. This version is suitable for flat mounting, other versions available, please see separate specification sheet.

Construction

- Glass filled thermoplastic body with original thermocouple material pins and springloaded inserts
- Brass screws with silver plating
- Rugged one body design
- Stainless steel locking clip
- Locking Connector Jack Miniature also accepts Miniature Connector Plugs without locking feature

Temperature rating

- 220 °C Max.

Color Code

- Available in all color code standards incl. NFE, BS, JIS, etc.

Ordering Code

CMLJ-xxPF

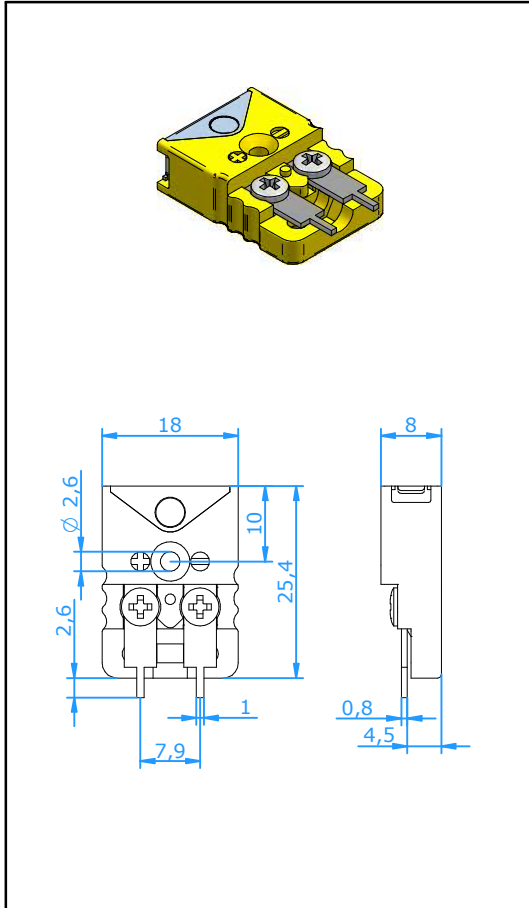
For last two digits 'xx' see table below

Calibration Code	E	J	K	N	T	U	R/S	C	B
Compensation material for Material Positive	NiCr	Fe	NiCr	NiCrSi	Cu	Cu	Pt13Rh/ Pt	W5Re/ W26Re	Pt6Rh/ Pt30Rh
Material Negative	CuNi	CuNi	NiAl	NiSi	CuNi	Cu	Alloy #11	CPX CNX	Cu Cu
IEC Color Code									
Color Body	Violet	Black	Green	Pink	Brown	White	Orange	Red	Grey
Code	EI	JI	KI	NI	TI	UI	RI	C	BI
ANSI Color Code									
Color Body	Violet	Black	Yellow	Orange	Blue	White	Green	Red	Grey
Code	EI	JI	KA	NA	TA	UI	RA	C	BI
DIN Color Code									
Color Body		Blue	Green		Brown		White		Grey
Code		JD	KI		TI		RD		BI



Connectors

Connector Miniature Locking Jack PCB Rear Mounting



Application

Miniature Locking Jack/Socket for thermocouple and RTD circuits. Locking feature prevents unwanted disconnection due to vibration etc. Designed for direct soldering onto printed circuit boards. This version is suitable for rear mounting, other versions available, please see separate specification sheet.

Construction

- Glass filled thermoplastic body with original thermocouple material pins and springloaded inserts.
- Copper pins with silverplating
- Rugged one body design.
- Stainless steel locking clip
- Locking Connector Jack Miniature also accepts Miniature Connector Plugs without locking feature

Temperature rating

- 220 °C Max.

Color Code

- Available in all color code standards incl. NFE, BS, JIS, etc.

Ordering Code

CMLJ-xxPR

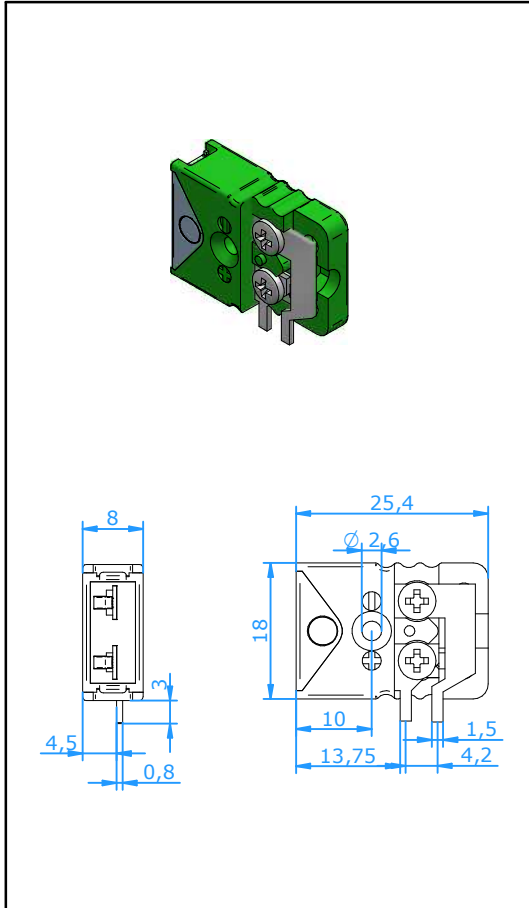
For last two digits 'xx' see table below

Calibration Code	E	J	K	N	T	U	R/S	C	B
Compensation material for Material Positive	NiCr	Fe	NiCr	NiCrSi	Cu	Cu	Pt13Rh/ Pt	W5Re/ W26Re	Pt6Rh/ Pt30Rh
Material Negative	CuNi	CuNi	NiAl	NiSi	CuNi	Cu	Cu Alloy #11	CPX CNX	Cu Cu
IEC Color Code									
Color Body	Violet	Black	Green	Pink	Brown	White	Orange	Red	Grey
Code	EI	JI	KI	NI	TI	UI	RI	C	BI
ANSI Color Code									
Color Body	Violet	Black	Yellow	Orange	Blue	White	Green	Red	Grey
Code	EI	JI	KA	NA	TA	UI	RA	C	BI
DIN Color Code									
Color Body		Blue	Green		Brown		White		Grey
Code		JD	KI		TI		RD		BI



Connectors

Connector Miniature Locking Jack PCB Side Mounting



Application

Miniature Locking Jack/Socket for thermocouple and RTD circuits. Locking feature prevents unwanted disconnection due to vibration etc. Designed for direct soldering onto printed circuit boards. This version is suitable for side mounting, other versions available, please see separate specification sheet.

Construction

- Glass filled thermoplastic body with original thermocouple material pins and springloaded inserts.
- Copper pins with silver plating
- Rugged one body design.
- Stainless steel locking clip
- Locking Connector Jack Miniature also accepts Miniature Connector Plugs without locking feature

Temperature rating

- 220 °C Max.

Color Code

- Available in all color code standards incl. NFE, BS, JIS, etc.

Ordering Code

CMLJ-xxPS

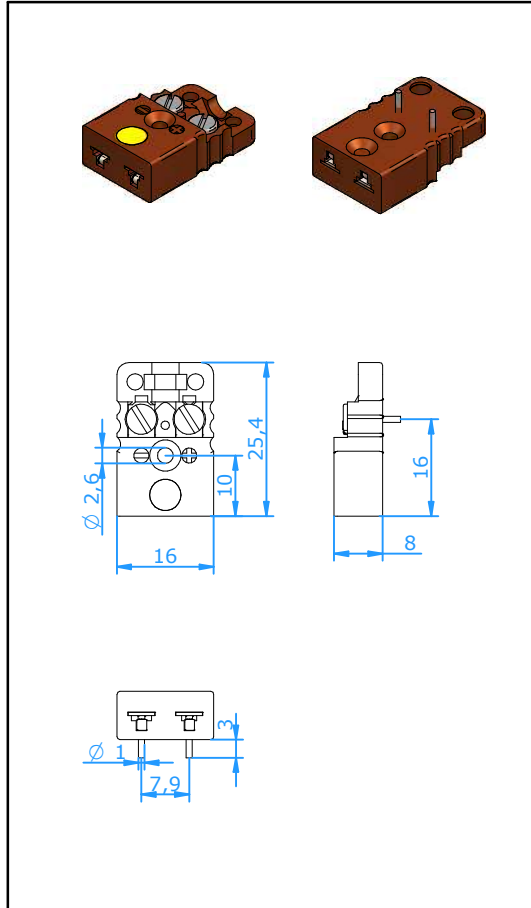
For last two digits 'xx' see table below

Calibration Code	E	J	K	N	T	U	R/S	C	B
Compensation material for							Pt13Rh/ Pt	W5Re/ W26Re	Pt6Rh/ Pt30Rh
Material Positive	NiCr	Fe	NiCr	NiCrSi	Cu	Cu	Cu	CPX	Cu
Material Negative	CuNi	CuNi	NiAl	NiSi	CuNi	Cu	Alloy #11	CNX	Cu
IEC Color Code									
Color Body	Violet	Black	Green	Pink	Brown	White	Orange	Red	Grey
Code	EI	JI	KI	NI	TI	UI	RI	C	BI
ANSI Color Code									
Color Body	Violet	Black	Yellow	Orange	Blue	White	Green	Red	Grey
Code	EI	JI	KA	NA	TA	UI	RA	C	BI
DIN Color Code									
Color Body		Blue	Green		Brown		White		Grey
Code		JD	KI		TI		RD		BI



Connectors

Connector Miniature Jack PCB Flat Mounting High Temp



Application

Miniature Jack/Socket for thermocouple and RTD circuits. Designed for direct soldering onto printed circuit boards. Thermoset material designed for use at high temperatures

This version is suitable for flat mounting, other versions available, please see separate specification sheet.

Construction

- Body of thermoset material with original thermocouple material pins and springloaded inserts.
- Brass screws with silver plating
- Rugged one body design.

Temperature rating

- 350 °C Max.

Color Code

- Body color brown
- Color dot to indicate calibration

Ordering Code

CMJH-xxPF

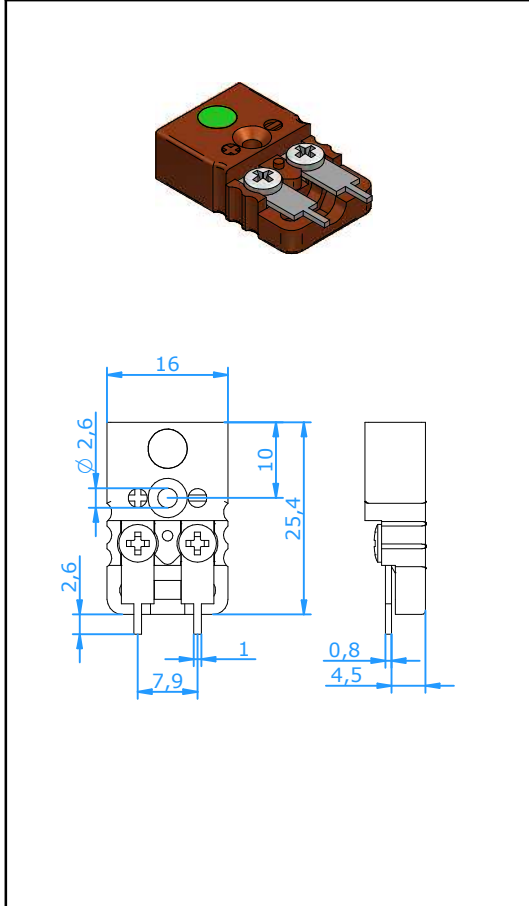
For digits 'xx' see table below

Calibration Code	E	J	K	N	T	U	R/S	C	B
Compensation material for							Pt13Rh/ Pt	W5Re/ W26Re	Pt6Rh/ Pt30Rh
Material Positive	NiCr	Fe	NiCr	NiCrSi	Cu	Cu ¹⁾	Cu	CPX	Cu ¹⁾
Material Negative	CuNi	CuNi	NiAl	NiSi	CuNi	Cu ¹⁾	Alloy #11	CNX	Cu ¹⁾
IEC Color Code									
Color Dot	Violet	Black	Green	Pink	Brown	White	Orange	Red	Grey
Code	EI	JI	KI	NI	TI	UI	RI	C	BI
ANSI Color Code									
Color Dot	Violet	Black	Yellow	Orange	Blue	White	Green	Red	Grey
Code	EI	JI	KA	NA	TA	UI	RA	C	BI
DIN Color Code									
Color Dot		Blue	Green		Brown		White		Grey
Code		JD	KI		TI		RD		BI



Connectors

Connector Miniature Jack PCB Rear Mounting High Temp



Application

Miniature Jack/Socket for thermocouple and RTD circuits. Designed for direct soldering onto printed circuit boards. Thermoset material designed for use at high temperatures

This version is suitable for rear mounting, other versions available, please see separate specification sheet.

Construction

- Body of thermoset material with original thermocouple material pins and springloaded inserts.
- Copper pins with silverplating
- Rugged one body design.

Temperature rating

- 350 °C Max.

Color Code

- Body color brown
- Color dot to indicate calibration

Ordering Code

CMJH-xxPR

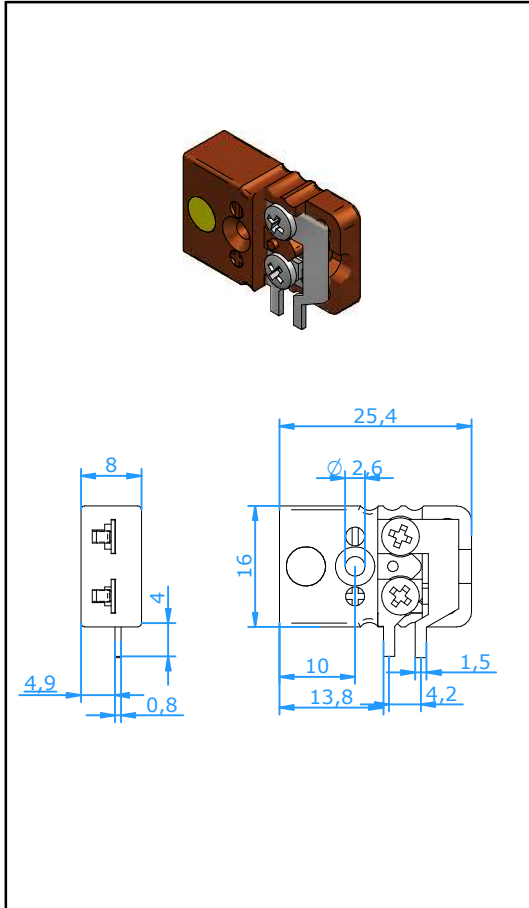
For digits 'xx' see table below

Calibration Code	E	J	K	N	T	U	R/S	C	B
Compensation material for							Pt13Rh/ Pt	W5Re/ W26Re	Pt6Rh/ Pt30Rh
Material Positive							Cu	CPX	Cu ¹⁾
Material Negative	NiCr CuNi	Fe CuNi	NiCr NiAl	NiCrSi NiSi	Cu CuNi	Cu ¹⁾ Cu ¹⁾	Alloy #11	CNX	Cu ¹⁾
IEC Color Code									
Color Dot	Violet	Black	Green	Pink	Brown	White	Orange	Red	Grey
Code	EI	JI	KI	NI	TI	UI	RI	C	BI
ANSI Color Code									
Color Dot	Violet	Black	Yellow	Orange	Blue	White	Green	Red	Grey
Code	EI	JI	KA	NA	TA	UI	RA	C	BI
DIN Color Code									
Color Dot		Blue	Green		Brown		White		Grey
Code		JD	KI		TI		RD		BI



Connectors

Connector Miniature Jack PCB Side Mounting High Temp



Application

Miniature Jack/Socket for thermocouple and RTD circuits. Designed for direct soldering onto printed circuit boards. Thermoset material designed for use at high temperatures

This version is suitable for side mounting, other versions available, please see separate specification sheet.

Construction

- Body of thermoset material with original thermocouple material pins and springloaded inserts.
- Copper pins with silverplating
- Rugged one body design.

Temperature rating

- 350 °C Max.

Color Code

- Body color brown
- Color dot to indicate calibration

Ordering Code

CMJH-xxPS

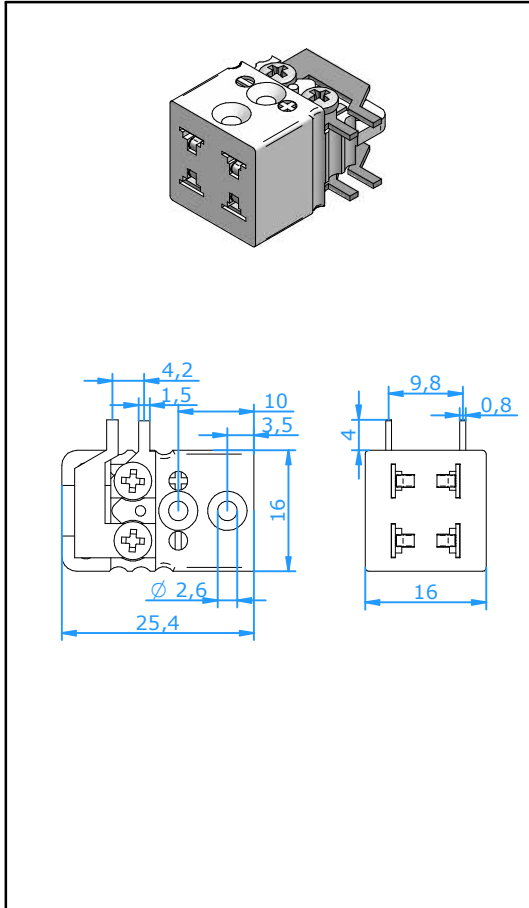
For digits 'xx' see table below

Calibration Code	E	J	K	N	T	U	R/S	C	B
Compensation material for							Pt13Rh/	W5Re/	Pt6Rh/
Material Positive							Pt	W26Re	Pt30Rh
Material Negative	NiCr	Fe	NiCr	NiCrSi	Cu	Cu ¹⁾	Cu	CPX	Cu ¹⁾
	CuNi	CuNi	NiAl	NiSi	CuNi	Cu ¹⁾	Alloy #11	CNX	Cu ¹⁾
IEC Color Code									
Color Dot	Violet	Black	Green	Pink	Brown	White	Orange	Red	Grey
Code	EI	JI	KI	NI	TI	UI	RI	C	BI
ANSI Color Code									
Color Dot	Violet	Black	Yellow	Orange	Blue	White	Green	Red	Grey
Code	EI	JI	KA	NA	TA	UI	RA	C	BI
DIN Color Code									
Color Dot		Blue	Green		Brown		White		Grey
Code		JD	KI		TI		RD		BI



Connectors

Connector Miniature Duplex Jack PCB Side Mounting



Application

Miniature Duplex Jack for thermocouple and RTD circuits. Designed for direct soldering onto printed circuit boards.

This version is suitable for side mounting, other versions available, please see separate specification sheet.

Construction

- Glass filled thermoplastic body with original thermocouple material pins and springloaded inserts.
- Copper pins with silverplating
- Rugged one body design.

Temperature rating

- 220 °C Max.

Color Code

- Available in all color code standards incl. NFE, BS, JIS, etc.

Ordering Code

CMJD-xxPS

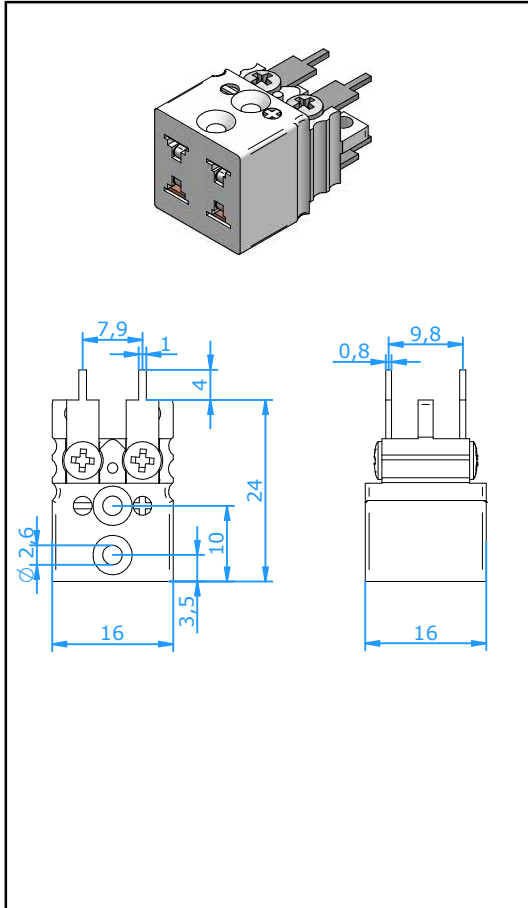
For last two digits 'xx' see table below

Calibration Code	E	J	K	N	T	U	R/S	C	B
Compensation material for Material Positive	NiCr	Fe	NiCr	NiCrSi	Cu	Cu	Pt13Rh/ Pt	W5Re/ W26Re	Pt6Rh/ Pt30Rh
Material Negative	CuNi	CuNi	NiAl	NiSi	CuNi	Cu	Cu Alloy #11	CPX CNX	Cu Cu
IEC Color Code									
Color Body	Violet	Black	Green	Pink	Brown	White	Orange	Red	Grey
Code	EI	JI	KI	NI	TI	UI	RI	C	BI
ANSI Color Code									
Color Body	Violet	Black	Yellow	Orange	Blue	White	Green	Red	Grey
Code	EI	JI	KA	NA	TA	UI	RA	C	BI
DIN Color Code									
Color Body		Blue	Green		Brown		White		Grey
Code		JD	KI		TI		RD		BI



Connectors

Connector Miniature Duplex Jack PCB Rear Mounting



Application

Miniature Duplex Jack for thermocouple and RTD circuits. Designed for direct soldering onto printed circuit boards.

This version is suitable for rear mounting, other versions available, please see separate specification sheet.

Construction

- Glass filled thermoplastic body with original thermocouple material pins and springloaded inserts.
- Copper pins with silverplating
- Rugged one body design.

Temperature rating

- 220 °C Max.

Color Code

- Available in all color code standards incl. NFE, BS, JIS, etc.

Ordering Code

CMJD-xxPR

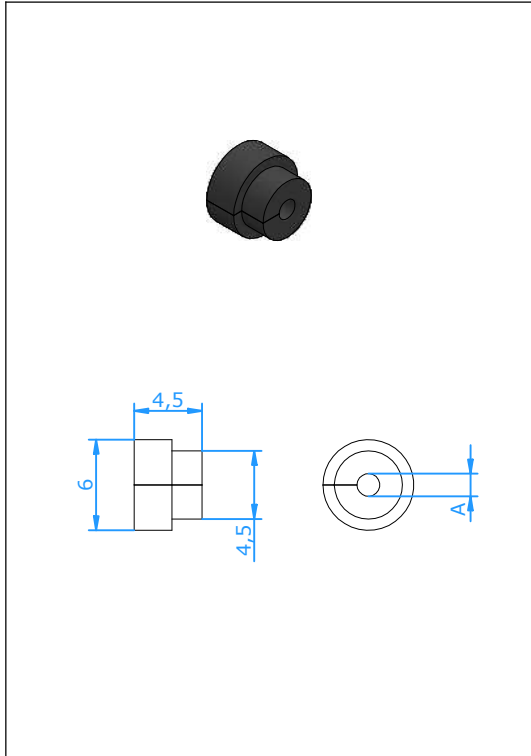
For last two digits 'xx' see table below

Calibration Code	E	J	K	N	T	U	R/S	C	B
Compensation material for Material Positive	NiCr	Fe	NiCr	NiCrSi	Cu	Cu	Pt13Rh/ Pt	W5Re/ W26Re	Pt6Rh/ Pt30Rh
Material Negative	CuNi	CuNi	NiAl	NiSi	CuNi	Cu	Cu Alloy #11	CPX CNX	Cu Cu
IEC Color Code									
Color Body	Violet	Black	Green	Pink	Brown	White	Orange	Red	Grey
Code	EI	JI	KI	NI	TI	UI	RI	C	BI
ANSI Color Code									
Color Body	Violet	Black	Yellow	Orange	Blue	White	Green	Red	Grey
Code	EI	JI	KA	NA	TA	UI	RA	C	BI
DIN Color Code									
Color Body		Blue	Green		Brown		White		Grey
Code		JD	KI		TI		RD		BI



Accessories

Miniature Connector Grommet

**Application**

Grommet can be fitted in the entrance hole of the connector to prevent moisture and dirt from entering the connector. Has limited strain relief capabilities.

Construction

Silicone ring, slit for easy mounting over wire. Will compress on the wire when the cover is fitted.

Temperature rating

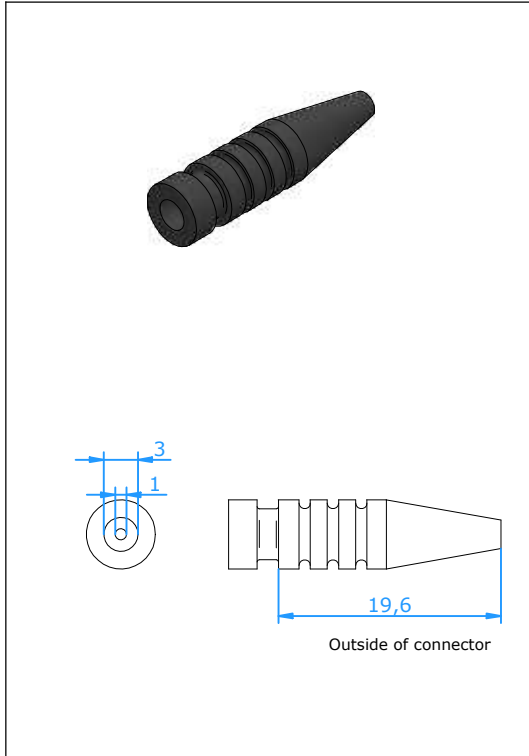
- 200 °C Max.

Part Nr.	A
20.031-1	3,00 mm
20.031-2	0,50 mm
20.031-3	1,50 mm



Accessories

Miniature Connector Bending Protection

**Application**

Bending protection for thermocouples and wire being used with miniature connectors. Prevents mechanical damage of wires at entrance point of the connector.

Construction

- Silicon rubber insert, tapered entrance hole ensures proper sealing on cable

Temperature Rating

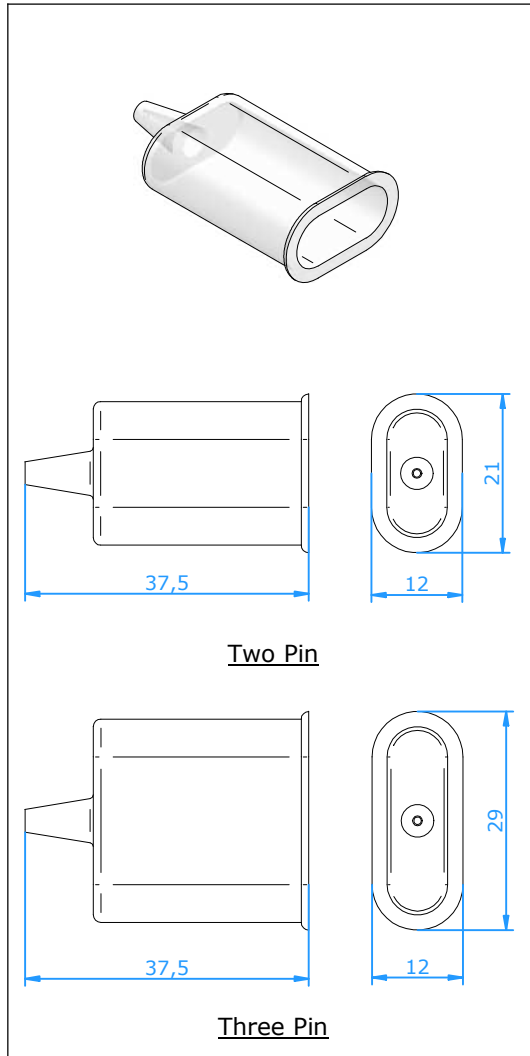
- 200 °C

Part Nr. 20.293



Accessories

Miniature Connector Protection Boot



Application

The two flexible silicone rubber boots will cover the connector set snugly and prevent moisture, water and dirt entering the connector.

Temperature Rating

- 200 °C / 300 °C

Construction

- Silicone cover with retention ring prevent disconnection due to vibration.
- Tapered entrance hole to ensure proper sealing on most cable diameters.

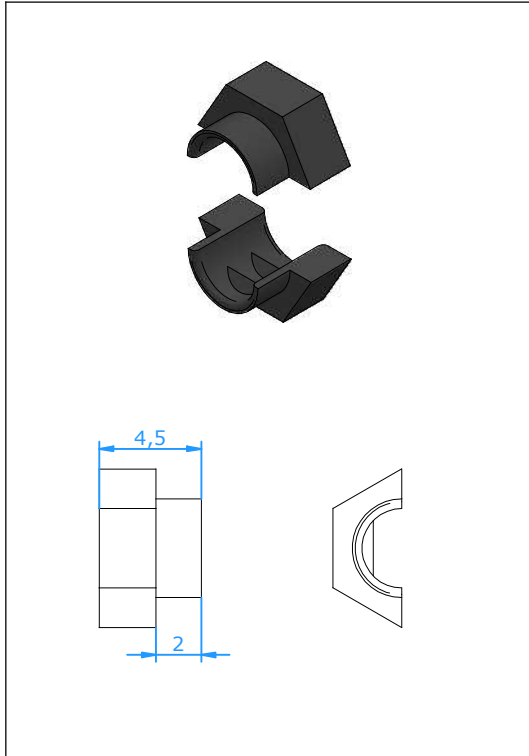
Part Nr.	20.030-1	Two pin connector 200 °C (Transparent)
	20.030-2	Three pin connector 200 °C (Transparent)
	20.029	Two pin connector 300 °C (Black)

Note: for one set order 2 pcs



Accessories

Miniature Connector Wire Insert



Application

A set wire inserts fitted in the entrance hole of the connector will provide a very good strain relief without any protruding parts from the connector.

Construction

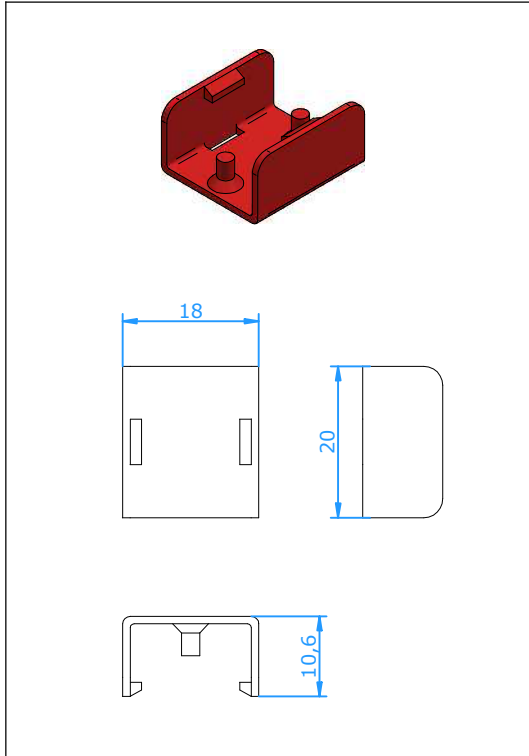
Thermoplastic material with a round or oval hole to fit around a specific wire.

Part Nr.	Round/Oval	Wire
20.075-1	Round	1,0 mm
20.075-5	Round	3,5 mm
20.075-24	Oval	2,0 x 1,5 mm



Accessories

Miniature Connector Locking Clip

**Application**

Miniature connectors donot have a retention groove. In order to prevent accidental disconnection a locking plate can be used.

Construction

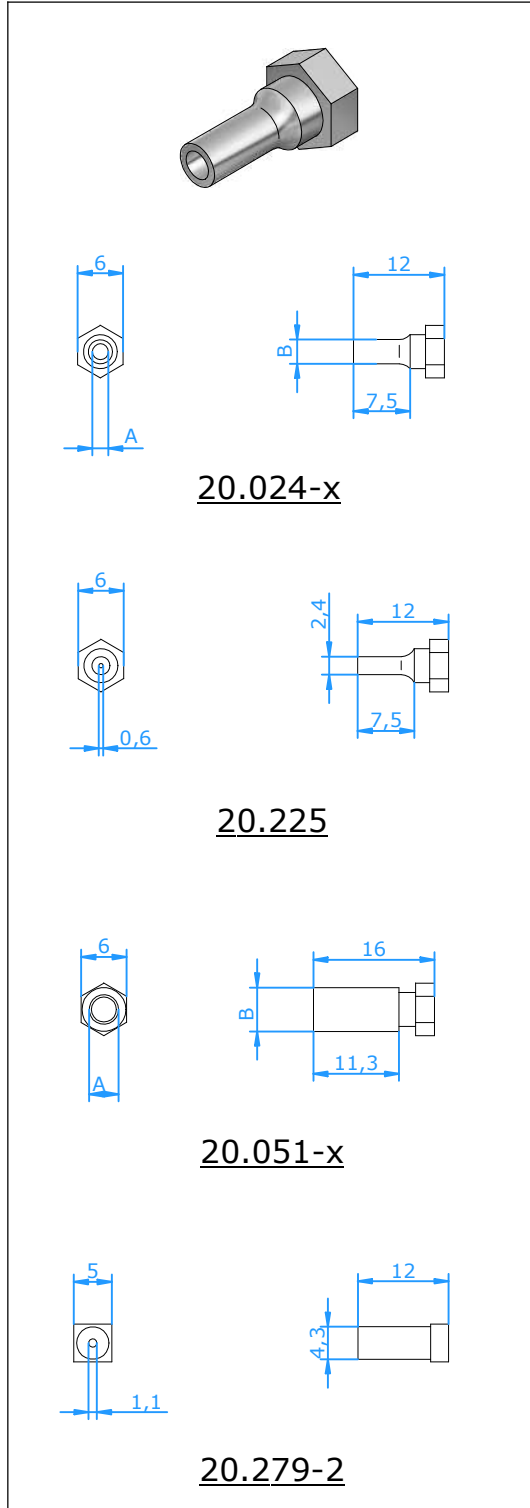
- Glass filled thermoplastic with the same temperature rating as the connector body (200°C)
- Red color indicates clearly that circuits are protected
- Can be placed and removed without any tools.

Part Nr. 20.096



Accessories

Miniature Connector Crimp-insert



Application

Designed for soldering or crimping on mineral insulated cable or crimping on insulated wire.

Construction

Brass machined, nickel plated insert with 0,1 mm tolerance on the cable OD

Part Nr.	A	B
20.024-1	1,10 mm	2,40 mm
20.024-2	1,60 mm	2,40 mm
20.024-3	1,70 mm	2,40 mm
20.024-4	2,10 mm	3,20 mm
20.024-5	2,40 mm	3,20 mm
20.024-6	3,10 mm	4,50 mm
20.024-7	3,30 mm	4,50 mm
20.024-8	0,00 mm	4,50 mm
20.024-9	3,90 mm	4,50 mm
20.024-10	2,80 mm	4,50 mm
20.024-11	2,70 mm	4,50 mm
20.024-12	1,90 mm	3,20 mm
20.024-13	3,50 mm	4,50 mm
20.024-14	0,90 mm	2,40 mm
20.024-15	3,80 mm	4,50 mm

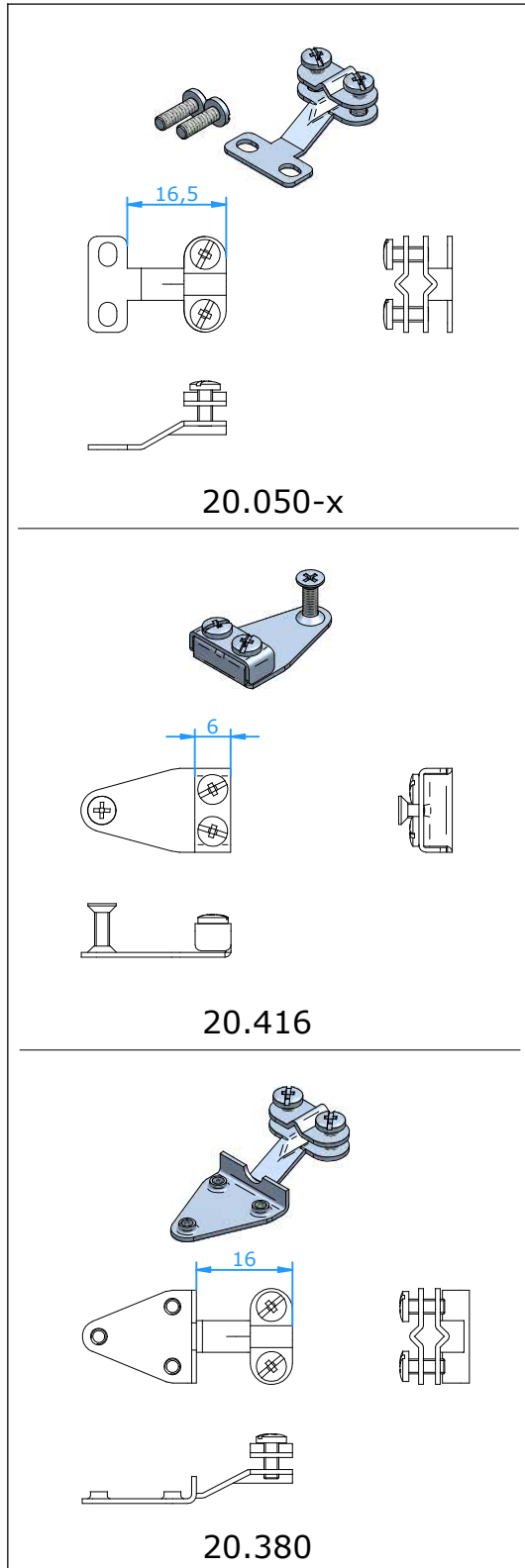
Part Nr.	A	B
20.225	0,6 mm	2,4 mm
20.051-1	5,0 mm	5,8 mm
20.051-4	3,9 mm	5,8 mm
20.279-2	1,1 mm	4,3 mm

Note: 20.279-2 is for mini ceramic connectors only



Accessories

Miniature Connector Wire Clamp Bracket



Application

Wire clamp bracket will provide optimum strain relief. Construction allows a large difference in maximum and minimum wire diameter. Compact version especially designed to be used with small wire diameters.

Construction

All stainless steel, incl stainless steel screws

Part Nr.

20.050-1 miniature connector

fits on all connectors CMP, CMJ, CMPH, CMJH, CMPT and CMJT

20.050-2 miniature connector ceramic

fits on all connectors CMPC, CMJC

20.050-3 miniature connector duplex

fits on all connectors CMPD, CMJD

20.416 miniature connector (compact version)

fits on all connectors CMP, CMJ, CMPH, CMJH, CMPT and CMJT

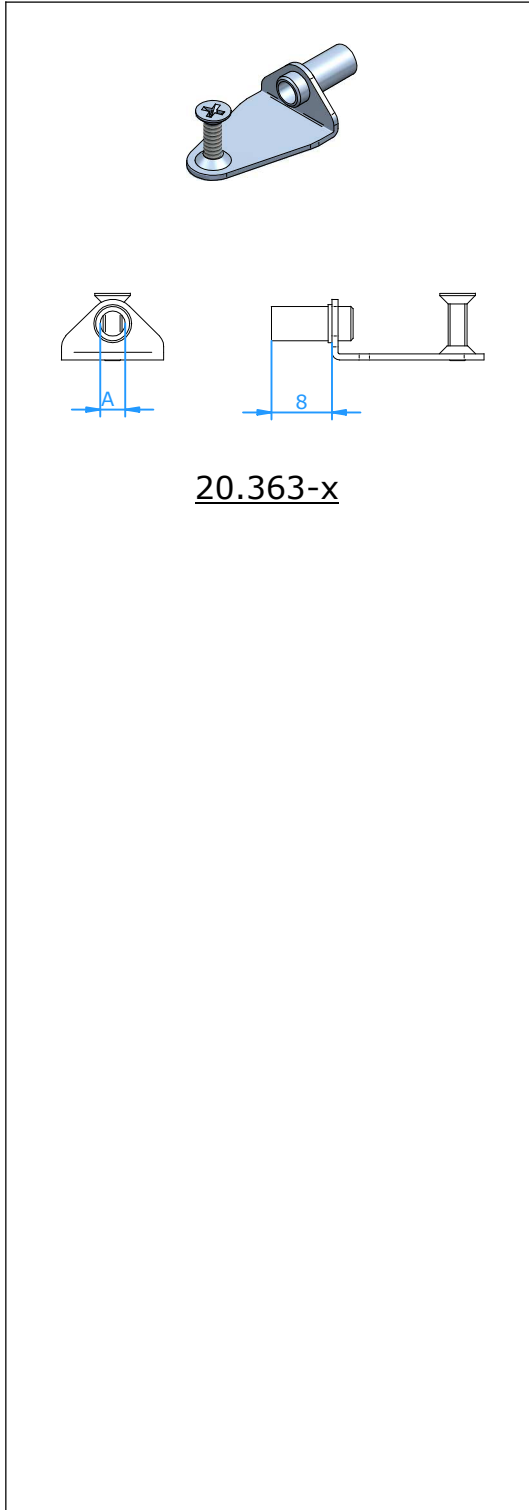
20.380 miniature connector ultra high temp

fits on all connectors CMPU, CMJU



Accessories

Miniature Connector L-bracket Crimp adapter



Application

Designed for soldering or crimping on mineral insulated cable or crimping on insulated wire.

Construction

Stainless steel bracket and insert with 0,1 mm tolerance on the cable OD.

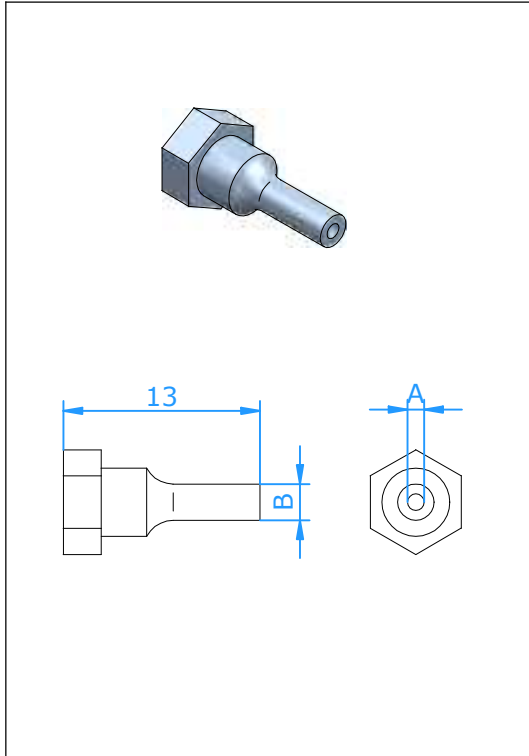
Can be used on 2-pin connectors CMP-xx, CMJ-xx, CMPE-xx, CMJE-xx, CMPH-x, CMJH-x

Part Nr.	A
20.363-1	1,1 mm
20.363-3	1,7 mm
20.363-7	3,3 mm



Accessories

Miniature Connector Braze/Crimp adapter



Application

Adapter can be fitted in the entrance hole of the connector to braze/crimp in mineral isolated cable.

Construction

Stainless steel adapter, AISI-303 / DIN-1.4305

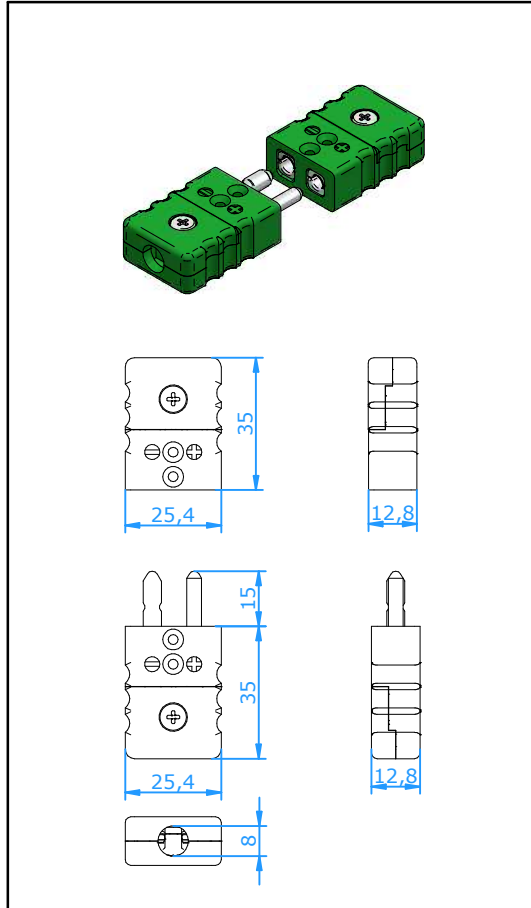
The adapter fits in all miniature connectors.

Name	A	B
20.348-1	1,10 mm	2,40 mm
20.348-3	1,70 mm	2,40 mm
20.348-4	2,10 mm	3,20 mm
20.348-6	3,10 mm	4,50 mm
20.348-7	3,30 mm	4,50 mm



Connectors

Connector Standard



Application

Connector for thermocouple and RTD circuits. Solid pin design ensures good contact even in demanding applications. Hollow pin design offers a good quality product at competitive pricing for less frequently used connectors.

Construction

- Glass filled high quality thermoplastic body with original thermocouple material pins and springloaded inserts.
- Polarized pins.
- Central cover screw design for quick wiring.
- Molded barriers prevent short circuit.
- Captive cover screw for easy assembly.
- Easy wire connection through sandwich construction
- Stainless Steel screws with Phillips head

Wire size

- Accepts wires up to 1,6 mm.
- Maximum cable diameter 8,0 mm.

Temperature rating

- 220 °C Max.

Color Code

- Available in all color code standards. Incl. NFE, BS, JIS, etc.

Accessories

- Large variety of accessories for the standard connector are available. See separate specification sheets.

Ordering Code Plug Solid Pin : **CSP-xx**
 Plug Hollow Pin: **CSPL-xx**
 Jack : **CSJ-xx**

For last two digits 'xx' see table below

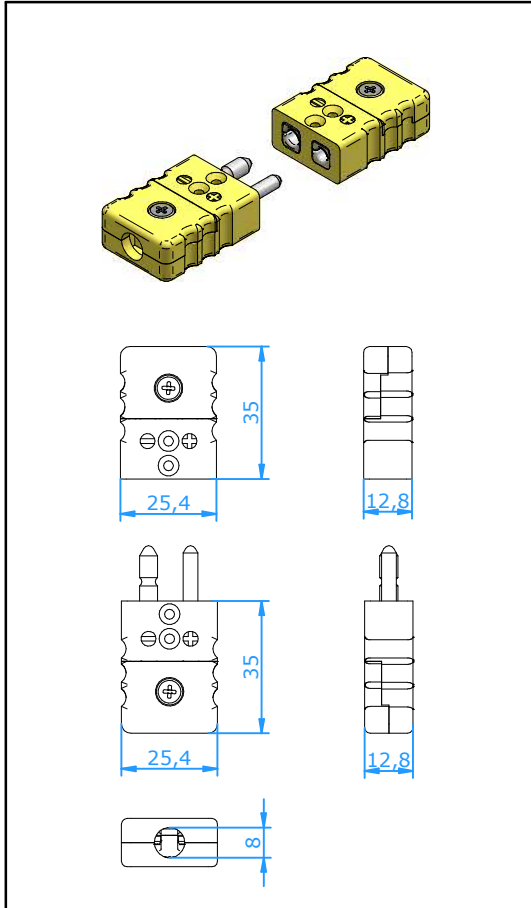
Calibration Code	E	J	K	N	T	U	R/S	C	B
Compensation material for							Pt13Rh/ Pt	W5Re/ W26Re	Pt6Rh/ Pt30Rh
Material Positive	NiCr	Fe	NiCr	NiCrSi	Cu	Cu	Cu	CPX	Cu
Material Negative	CuNi	CuNi	NiAl	NiSi	CuNi	Cu	Alloy #11	CNX	Cu
IEC Color Code									
Color Body	Violet	Black	Green	Pink	Brown	White	Orange	Red	Grey
Code	EI	JI	KI	NI	TI	UI	RI	C	BI
ANSI Color Code									
Color Body	Violet	Black	Yellow	Orange	Blue	White	Green	Red	Grey
Code	EI	JI	KA	NA	TA	UI	RA	C	BI
DIN Color Code									
Color Body		Blue	Green		Brown		White		Grey
Code		JD	KI		TI		RD		BI

Note: - Contacts with a hard nickel- or gold-plating are available, please add "NP" or "GP" after the calibration code
 - Type C connector plug is only available in a solid pin version



Connectors

Connector Standard Economy



Application

Connector for thermocouple and RTD circuits. Hollow pin design offers a good quality product at competitive pricing for less frequently used connectors.

Construction

- Glass filled Nylon body with original thermocouple material pins.
- Polarized hollow pins.
- Central cover screw design for quick wiring.
- Molded barriers prevent short circuit.
- Zinc plated steel screws

Wire size

- Accepts wires up to 1,6 mm.
- Maximum cable diameter 8,0 mm.

Temperature rating

- 180 °C Max.

Color Code

- Available according to ANSI and IEC

Accessories

- Not all accessories for the standard connector can be fitted. Please consult factory.

Ordering Code Plug: CSPE-xx
Jack: CSJE-xx

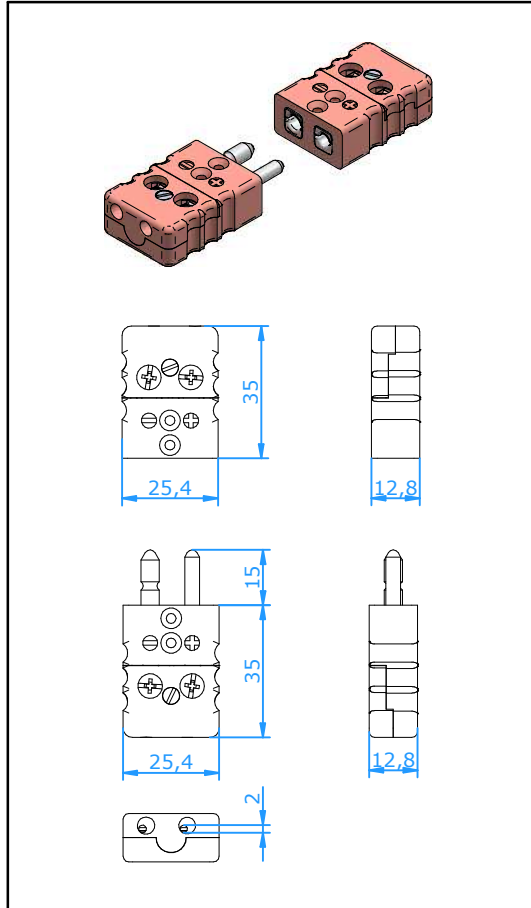
For last two digits 'xx' see table below

Calibration Code	J	K	N	T	R/S
Compensation Material for					Pt13Rh/Pt
Contact Material Positive	Fe	NiCr	NiCrSi	Cu	Cu
Contact Material Negative	CuNi	NiAl	NiSi	CuNi	Alloy #11
IEC Color Code					
Color Body	Black	Green	Pink	Brown	Orange
Code	JI	KI	NI	TI	RI
ANSI Color Code					
Color Body	Black	Yellow	Pink	Blue	Green
Code	JI	KA	NA	TA	RA



Connectors

Connector Standard Jab-in



Application

Connector for thermocouple and RTD circuits. Jab-in cover allow easy connection without need for cover removal. Solid pin design ensures good contact even in demanding applications. Hollow pin design offers a good quality product at competitive pricing for less frequently used connectors.

Construction

- Glass filled thermoplastic body with original thermocouple material pins.
- Polarized pins.
- Molded barriers prevent short circuit.
- Captive cover screw for easy assembly.

Wire size

- Accepts wires up to 1,6 mm.

Temperature rating

- 220 °C Max.

Color Code

- Available in all color code standards. Incl. NFE, BS, JIS, etc.

Accessories

- Large variety of accessories for the standard connector are available. See separate specification sheets.

Ordering Code Plug Solid Pin :
 Plug Hollow Pin:
 Jack :

CSPQ-xx
CSPQL-xx
CSJQ-xx

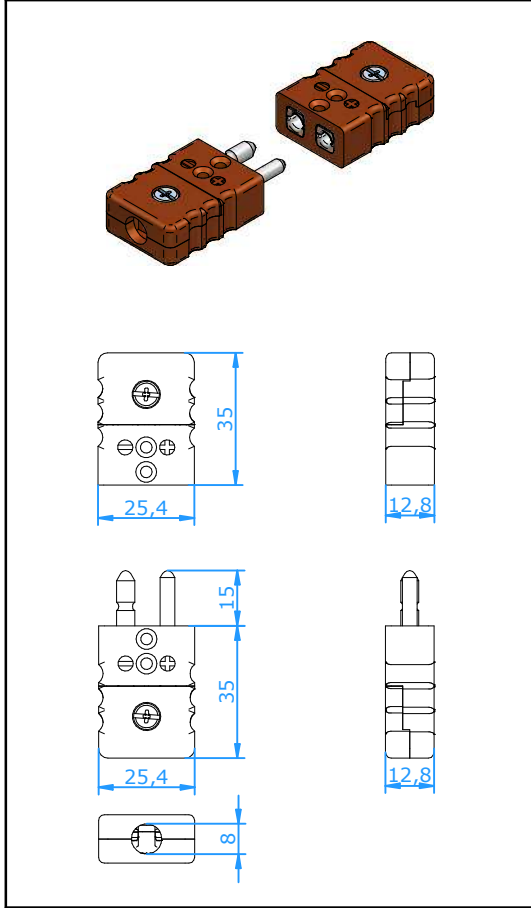
For last two digits 'xx' see table below

Calibration Code	E	J	K	N	T	U	R/S	C	B
Compensation material for Material Positive	NiCr	Fe	NiCr	NiCrSi	Cu	Cu	Pt13Rh/ Pt	W5Re/ W26Re	Pt6Rh/ Pt30Rh
Material Negative	CuNi	CuNi	NiAl	NiSi	CuNi	Cu	Cu Alloy #11	CPX CNX	Cu Cu
IEC Color Code									
Color Body	Violet	Black	Green	Pink	Brown	White	Orange	Red	Grey
Code	EI	JI	KI	NI	TI	UI	RI	C	BI
ANSI Color Code									
Color Body	Violet	Black	Yellow	Orange	Blue	White	Green	Red	Grey
Code	EI	JI	KA	NA	TA	UI	RA	C	BI
DIN Color Code									
Color Body		Blue	Green		Brown		White		Grey
Code		JD	KI		TI		RD		BI



Connectors

Connector Standard High Temperature



Application

Connector for thermocouple and RTD circuits. Solid pin design ensures good contact even in demanding applications. Thermoset material designed for use at high temperatures. Hollow pin design offers a good quality product at competitive pricing for less frequently used connectors.

Construction

- body of thermoset material with original thermocouple material pins and springloaded inserts.
- Polarized pins ensure proper connection.
- Easy wire connection through sandwich construction.
- Molded barriers prevent short circuit.
- Rugged one body design.

Wire size

- Accepts wires up to 1,6 mm.
- Maximum cable diameter 8,0 mm.

Temperature rating

- 350 °C maximum

Color Code

- Color of the connector-body is brown, calibration indication printed on body

Accessories:

- Stainless steel braze/crimp adaptors, tube adaptors, wire clamp bracket and U-Brackets are available, please see separate specification sheets or consult factory

Ordering Code **Plug Solid Pin** : **CSPH-x**
Plug Hollow Pin: **CSPHL-x**
Jack : **CSJH-x**

x = Calibration Code (See table below)

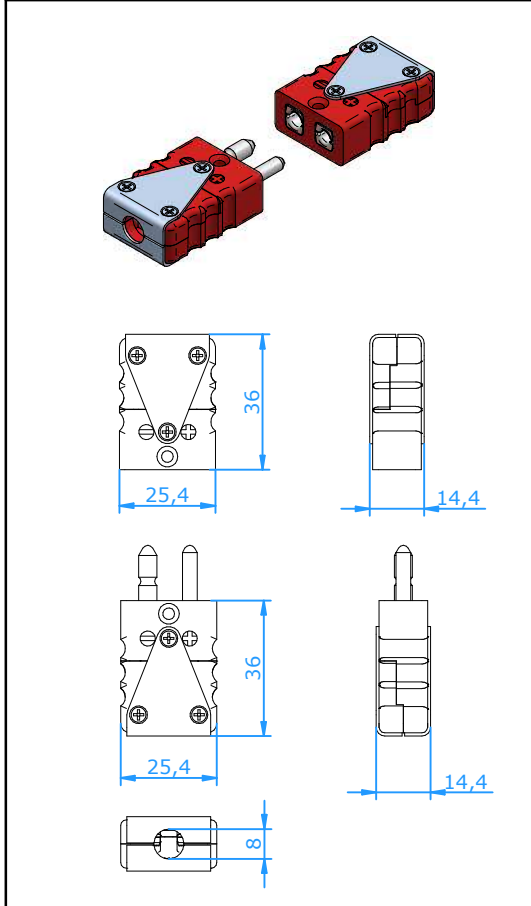
Calibration Code	E	J	K	N	T	U	R/S	C	B
Compensation material for							Pt13Rh/ Pt	W5Re/ W26Re	Pt6Rh/ Pt30Rh
Material Positive	NiCr	Fe	NiCr	NiCrSi	Cu	Cu	Cu	CPX	Cu
Material Negative	CuNi	CuNi	NiAl	NiSi	CuNi	Cu	Alloy #11	CNX	Cu

Note: - Contacts with a hard nickel- or gold-plating are available, please add "NP" or "GP" after the calibration code
 - Type C connector plug is only available in a Solid pin version



Connectors

Connector Standard Ultra High Temp



Application

Connector for thermocouple and RTD circuits. Plastic compound designed for use at elevated temperatures. Solid pin design ensures good contact even in demanding applications. Hollow pin design offers a good quality product at competitive pricing for less frequently used connectors.

Construction

- body of ultra high temp thermoset compound with original thermocouple material pins and springloaded inserts.
- Polarized pins ensure proper connection.
- Easy wire connection through sandwich construction.
- Molded barriers prevent short circuit.
- Rugged one body design.
- Stainless steel bracket and screws for usage in robust environment

Wire size

- Accepts wires up to 1,6 mm.
- Maximum cable diameter 8,0 mm.

Temperature rating

- 425 °C continuous, 540 °C intermittent

Color Code

- Color of the connector-body is red/brown, calibration indication stamped on the stainless steel top-bracket

Accessories:

- Stainless steel braze/crimp adaptors, tube adaptors, wire clamp bracket and U-Brackets are available, please see separate specification sheets or consult factory

Ordering Code **Plug Solid Pin** : **CSPU-x** x = Calibration Code (See table below)
Plug Hollow Pin : **CSPUL-x**
Jack : **CSJU-x**

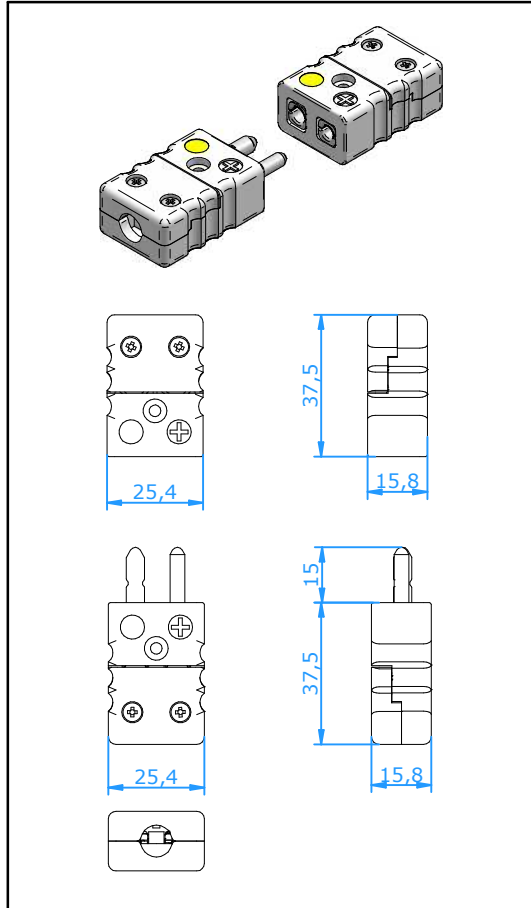
Calibration Code	E	J	K	N	T	U	R/S	C	B
Compensation material for							Pt13Rh/ Pt	W5Re/ W26Re	Pt6Rh/ Pt30Rh
Material Positive	NiCr	Fe	NiCr	NiCrSi	Cu	Cu ¹⁾	Cu	CPX ²⁾	Cu ¹⁾
Material Negative	CuNi	CuNi	NiAl	NiSi	CuNi	Cu ¹⁾	Alloy #11	CNX ²⁾	Cu ¹⁾

Note: - Contacts with a hard nickel- or gold-plating are available, please add "NP" or "GP" after the calibration code
 - Type C connector plug is only available in a Solid pin version



Connectors

Standard Connector Ceramic



Application

Connector for thermocouple and RTD circuits. Solid pin design ensures good contact even in demanding applications. Hollow pin design offers a good quality product at competitive pricing for less frequently used connectors.

Construction

- Ceramic body with original thermocouple material pins and springloaded inserts.
- Polarized pins ensure proper connection.
- Oversize terminal screw head for easy wiring
- One body design.
- High purity alumina body material.

Wire size

- Accepts wires up to 1,6 mm.
- Maximum cable diameter 8,0 mm.

Temperature rating

- 650 °C Max.

Color Code

- Body color white with color dot.

Accessories

- See separate specification sheet.

Ordering Code Plug Solid Pin : **CSPC-x** x = Calibration Code (See table below)
 Plug Hollow Pin: **CSPCL-x**
 Jack : **CSJC-x**

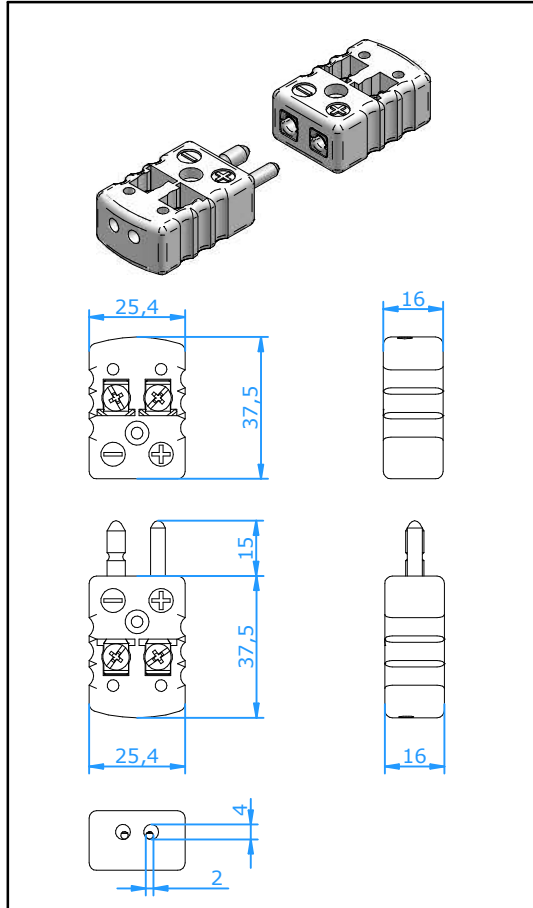
Calibration Code	E	J	K	N	T	U	R/S	C	B
Compensation material for Material Positive	NiCr	Fe	NiCr	NiCrSi	Cu	Cu ¹⁾	Pt13Rh/ Pt	W5Re/ W26Re	Pt6Rh/ Pt30Rh
Material Negative	CuNi	CuNi	NiAl	NiSi	CuNi	Cu ¹⁾	Cu Alloy #11	CPX CNX	Cu ¹⁾ Cu ¹⁾
IEC Color Code									
Color Dot	Violet	Black	Green	Pink	Brown	White	Orange	Red	Grey
Code	EI	JI	KI	NI	TI	UI	RI	C²⁾	BI
ANSI Color Code									
Color Dot	Violet	Black	Yellow	Orange	Blue	White	Green	Red	Grey
Code	EI	JI	KA	NA	TA	UI	RA	C²⁾	BI
DIN Color Code									
Color Dot		Blue	Green		Brown		White		Grey
Code		JD	KI		TI		RD		BI

Note: - Contacts with a hard nickel- or gold-plating are available, please add "NP" or "GP" after the calibration code
 - Type C connector plug is only available in a Solid pin version



Connectors

Connector Standard Ceramic Jab-in



Application

Connector for thermocouple and RTD circuits. Allows easy connection without need for cover removal. Solid pin design ensures good contact even in demanding applications. Hollow pin design offers a good quality product at competitive pricing for less frequently used connectors.

Construction

- Ceramic body with original thermocouple material pins and springloaded inserts.
- Rugged one body design
- Polarized pins
- Easy wire connection through sandwich construction
- Molded barriers prevent short circuit
- High purity alumina body material

Wire size

- Accepts wires up to 1,6 mm.

Temperature rating

- 650 °C Max.

Color Code

- Body color white with color dot. Body without colour dot available on request.

Accessories

- Wire clamp bracket, see separate specification sheet.

Ordering Code Plug Solid Pin : CSPCQ-xx
 Plug Hollow Pin: CSPCQL-xx
 Jack : CSJQ-xx

For last two digits 'xx' see table below

Calibration Code	E	J	K	N	T	U	R/S	C	B
Compensation material for							Pt13Rh/ Pt	W5Re/ W26Re	Pt6Rh/ Pt30Rh
Material Positive	NiCr	Fe	NiCr	NiCrSi	Cu	Cu ¹⁾	Cu	CPX	Cu ¹⁾
Material Negative	CuNi	CuNi	NiAl	NiSi	CuNi	Cu ¹⁾	Alloy #11	CNX	Cu ¹⁾
IEC Color Code									
Color Dot	Violet	Black	Green	Pink	Brown	White	Orange	Red	Grey
Code	EI	JI	KI	NI	TI	UI	RI	C²⁾	BI
ANSI Color Code									
Color Dot	Violet	Black	Yellow	Orange	Blue	White	Green	Red	Grey
Code	EI	JI	KA	NA	TA	UI	RA	C²⁾	BI
DIN Color Code									
Color Dot		Blue	Green		Brown		White		Grey
Code		JD	KI		TI		RD		BI

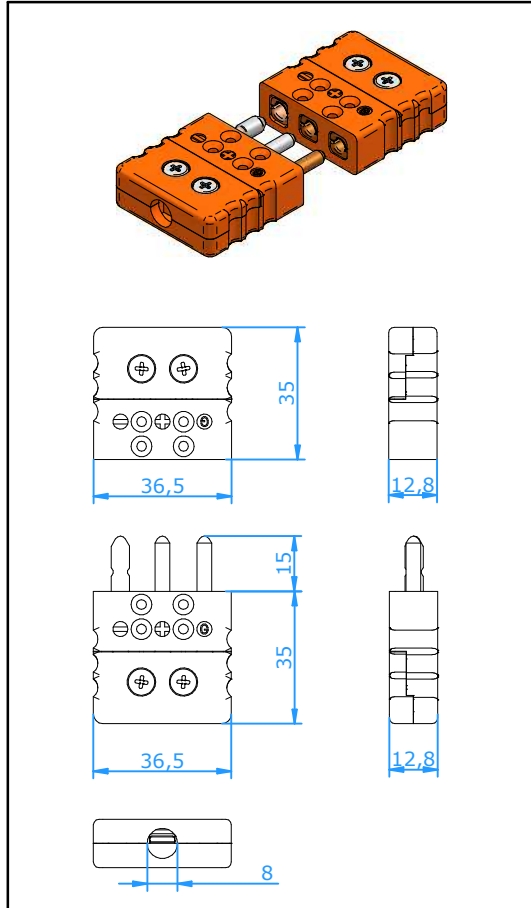
Note: - Contacts with a hard nickel- or gold-plating are available, please add "NP" or "GP" after the calibration code
 - Type C connector plug is only available in a Solid pin version





Connectors

Connector Standard Three Pin



Application

Connector for thermocouple and RTD circuits. Third contact for ground or continuous shield or for three wire RTD's. Solid pin design ensures good contact even in demanding applications. Hollow pin design offers a good quality product at competitive pricing for less frequently used connectors.

Construction

- Glass filled thermoplastic body with original thermocouple material pins and springloaded inserts.
- Polarized pins.
- Central cover screw design for quick wiring.
- Molded barriers prevent short circuit.
- Captive cover screw for easy assembly.

Wire size

- Accepts wires up to 1,6 mm.
- Maximum cable diameter 8,0 mm.

Temperature rating

- 220 °C Max.

Color Code

- Available in all color code standards. Incl. NFE, BS, JIS, etc.

Accessories

- Most accessories for the standard connector can be fitted. See separate specification sheet.

Ordering Code Plug Solid Pin :
 Plug Hollow Pin:
 Jack :

CSPT-xx
CSPTL-xx
CSJT-xx

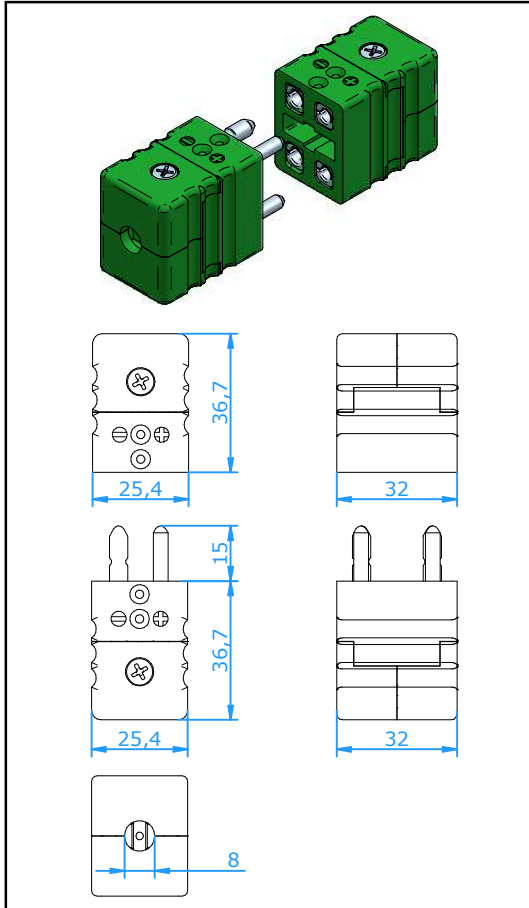
For last two digits 'xx' see table below

Calibration Code	E	J	K	N	T	U	R/S	C	B
Compensation material for Material Positive	NiCr	Fe	NiCr	NiCrSi	Cu	Cu	Pt13Rh/ Pt	W5Re/ W26Re	Pt6Rh/ Pt30Rh
Material Negative	CuNi	CuNi	NiAl	NiSi	CuNi	Cu	Cu Alloy #11	CPX CNX	Cu Cu
IEC Color Code									
Color Body	Violet	Black	Green	Pink	Brown	White	Orange	Red	Grey
Code	EI	JI	KI	NI	TI	UI	RI	C	BI
ANSI Color Code									
Color Body	Violet	Black	Yellow	Orange	Blue	White	Green	Red	Grey
Code	EI	JI	KA	NA	TA	UI	RA	C	BI
DIN Color Code									
Color Body		Blue	Green		Brown		White		Grey
Code		JD	KI		TI		RD		BI



Connectors

Connector Standard Duplex



Application

Connector for thermocouple and RTD circuits. Is very well suited for 4-wire RTD-'s. Solid pin design ensures good contact even in demanding applications. Hollow pin design offers a good quality product at competitive pricing for less frequently used connectors.

Construction

- Glass filled thermoplastic body with original thermocouple material pins and springloaded inserts.
- Polarized pins.
- Central cover screw design for quick wiring.
- Molded barriers prevent short circuit.
- Captive cover screw for easy assembly.
- Connects with standard horizontal and vertical panels.

Wire size

- Accepts wires up to 1,6 mm.
- Maximum cable diameter 8,0 mm.

Temperature rating

- 220 °C Max.

Color Code

- Available in all color code standards incl. NFE, BS, JIS, etc.

Accessories

- Crimpinserts and Wire clamp bracket available. For other accessories consult factory.

Ordering Code Plug Solid Pin : **CSPD-x** x = Calibration Code (See table below)
 Plug Hollow Pin: **CSPDL-x**
 Jack : **CSJD-x**

Calibration Code	E	J	K	N	T	U	R/S	C	B
Compensation material for Material Positive							Pt13Rh/ Pt	W5Re/ W26Re	Pt6Rh/ Pt30Rh
Material Negative	NiCr CuNi	Fe CuNi	NiCr NiAl	NiCrSi NiSi	Cu CuNi	Cu Cu	Cu Alloy #11	CPX CNX	Cu Cu
IEC Color Code									
Color Body	Violet	Black	Green	Pink	Brown	White	Orange	Red	Grey
Code	EI	JI	KI	NI	TI	UI	RI	C	BI
ANSI Color Code									
Color Body	Violet	Black	Yellow	Orange	Blue	White	Green	Red	Grey
Code	EI	JI	KA	NA	TA	UI	RA	C	BI
DIN Color Code									
Color Body		Blue	Green		Brown		White		Grey
Code		JD	KI		TI		RD		BI

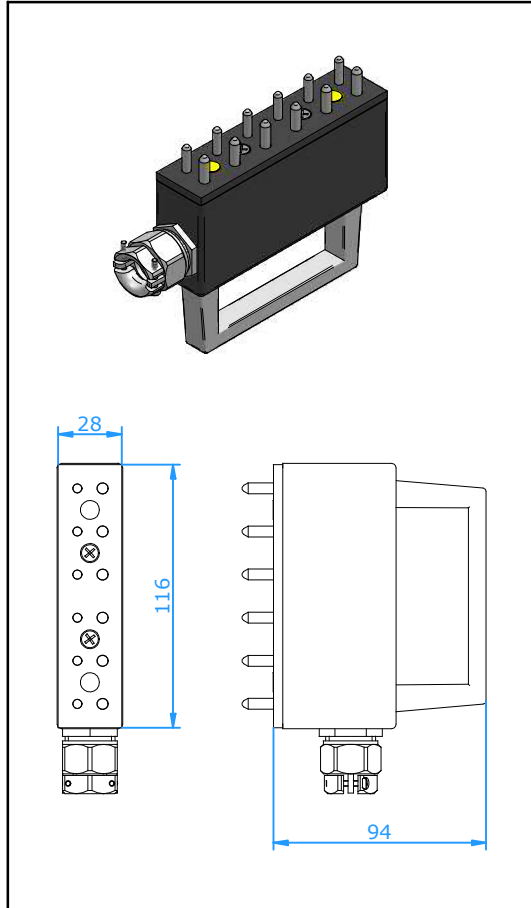
Note: Contacts with a hard nickel- or gold-plating are available, please add "NP" or "GP" after the calibration code





Connectors

Multiple Plug Standard



Application

Multiple plug for thermocouple and RTD circuits. Suitable for connecting up to 6 standard circuits simultaneously.

Construction

- Rugged steel epoxy painted housing.
- Anodized aluminium handle for easy grip.
- Available in 1 thru 6 circuits version.
- Corresponds with Hamitherm standard vertical panel PASV- and standard multiple jack MJS-

Wire size

- Accepts wires up to 1,5 mm.
- Entrance fitting PG 13 will allow cable diameters up to 15 mm.

Temperature rating

- 200 °C Max.

Color Code:

- Calibration is indicated by color coded dot on front.
- Available in all color code standards.

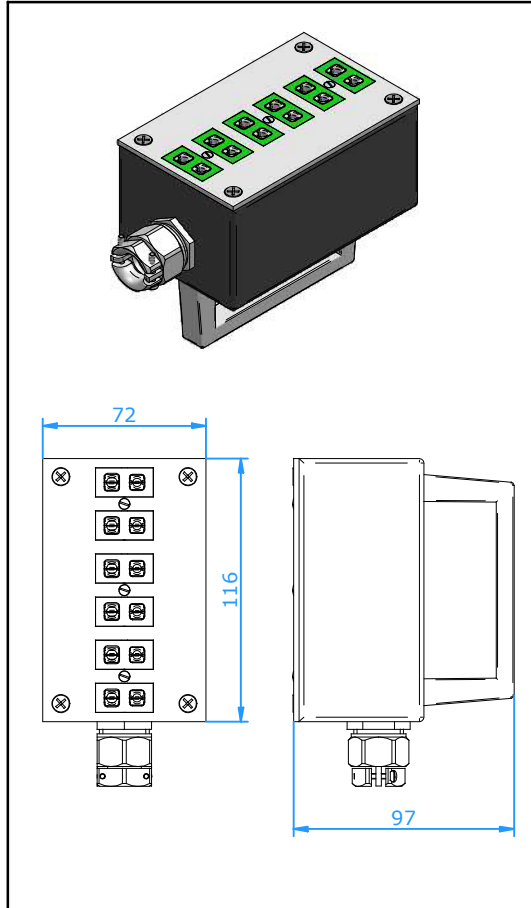
Ordering Code : **MPS-y-xx** y is number of circuits (1, 2, 3, 4, 5, or 6)
for last two digits 'xx' see table below

Calibration Code	E	J	K	N	T	U	R/S	C	B
Compensation material for Material Positive	NiCr	Fe	NiCr	NiCrSi	Cu	Cu	Pt13Rh/ Pt	W5Re/ W26Re	Pt6Rh/ Pt30Rh
Material Negative	CuNi	CuNi	NiAl	NiSi	CuNi	Cu	Cu Alloy #11	CPX CNX	Cu Cu
IEC Color Code									
Color dot	Violet	Black	Green	Pink	Brown	White	Orange	Red	Grey
Code	EI	JI	KI	NI	TI	UI	RI	C	BI
ANSI Color Code									
Color dot	Violet	Black	Yellow	Orange	Blue	White	Green	Red	Grey
Code	EI	JI	KA	NA	TA	UI	RA	C	BI
DIN Color Code									
Color dot		Blue	Green		Brown		White		Grey
Code		JD	KI		TI		RD		BI



Connectors

Multiple Jack Standard



Application

Multiple jack for thermocouple and RTD circuits. Suitable for connecting up to 6 standard circuits simultaneously.

Construction

- Rugged steel epoxy painted housing.
- Anodized aluminium handle for easy grip.
- Available in 1 thru 6 circuits version.
- Incorporates a Hamitherm standard vertical panel PASV-

Wire size

- Accepts wires from up to 3,0 mm.
- Entrance fitting PG 13 will allow cable diameters up to 15 mm.

Temperature rating

- 200 °C Max.

Color Code

- Calibration is indicated by color coding of panel inserts.
- Available in all color code standards.

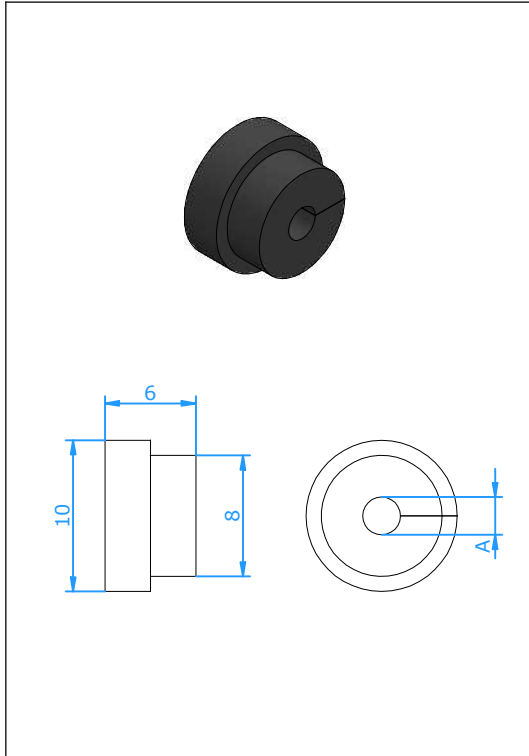
Ordering Code : **MJS-y-xx** y is number of circuits (1, 2, 3, 4, 5, or 6)
for last two digits 'xx' see table below

Calibration Code	E	J	K	N	T	U	R/S	C	B
Compensation material for Material Positive	NiCr	Fe	NiCr	NiCrSi	Cu	Cu	Pt13Rh/ Pt	W5Re/ W26Re	Pt6Rh/ Pt30Rh
Material Negative	CuNi	CuNi	NiAl	NiSi	CuNi	Cu	Cu Alloy #11	CPX CNX	Cu Cu
IEC Color Code									
Color dot	Violet	Black	Green	Pink	Brown	White	Orange	Red	Grey
Code	EI	JI	KI	NI	TI	UI	RI	C	BI
ANSI Color Code									
Color dot	Violet	Black	Yellow	Orange	Blue	White	Green	Red	Grey
Code	EI	JI	KA	NA	TA	UI	RA	C	BI
DIN Color Code									
Color dot		Blue	Green		Brown		White		Grey
Code		JD	KI		TI		RD		BI



Accessories

Standard Connector Grommet

**Application**

Grommet can be fitted in the entrance hole of the connector to prevent moisture and dirt from entering the connector. Has limited strain relief capabilities.

Construction

Silicone ring slit for easy mounting over the wire. Will compress on the wire when cover is fitted.

Temperature Rating

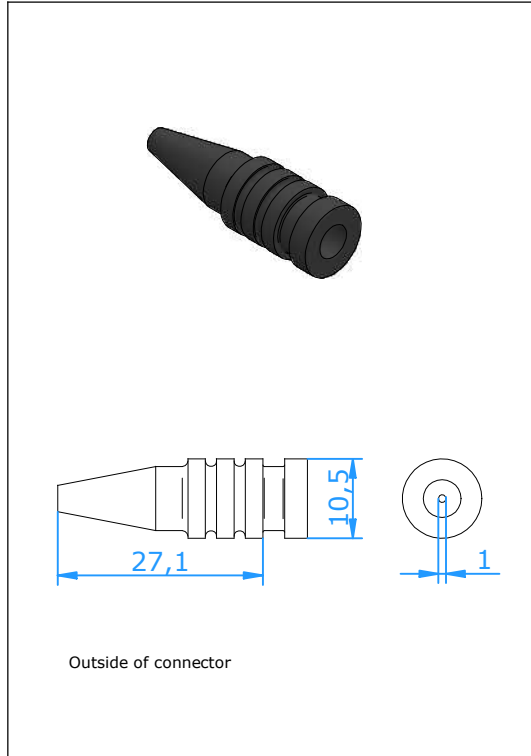
200 °C Max.

Part Nr.	A
20.048-1	2,50 mm
20.048-2	1,50 mm
20.048-3	4,50 mm



Accessories

Standard Connector Bending Protection



Application

Bending protection for thermocouples and wire being used with standard connectors. Prevents mechanical damage of wires at entrance point of the connector.

Construction

- Silicon rubber insert, tapered entrance hole ensures proper sealing on cable
- Fits in all standard connectors

Temperature Rating

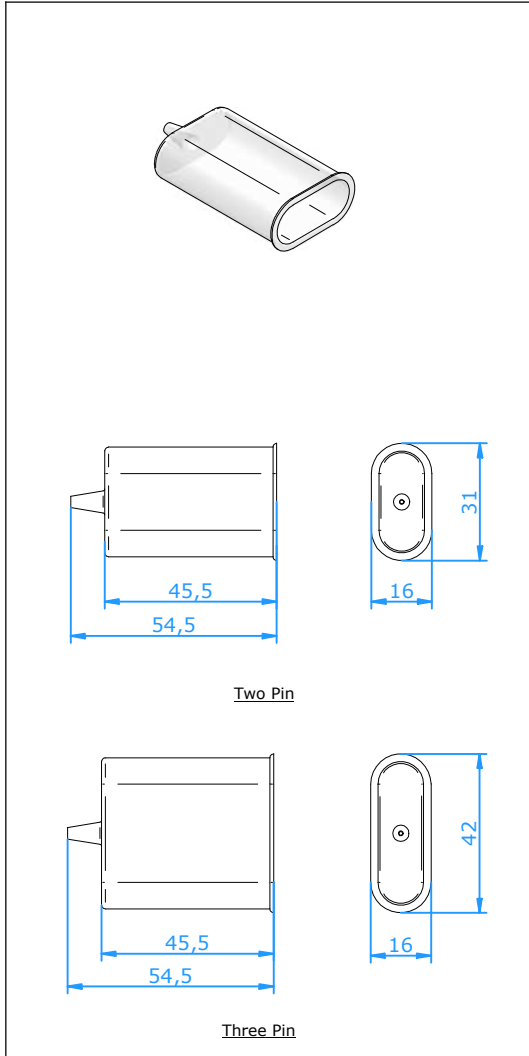
- 200 °C

Part Nr . 20.294



Accessories

Standard Connector Protection Boot



Application

The two flexible silicone rubber boots will cover the connector set snugly and prevent moisture, water and dirt entering the connector.

Temperature Rating

- 200 °C

Construction

- Silicone cover with retention ring prevent disconnection due to vibration.
- Tapered entrance hole to ensure proper sealing on most cable diameters.

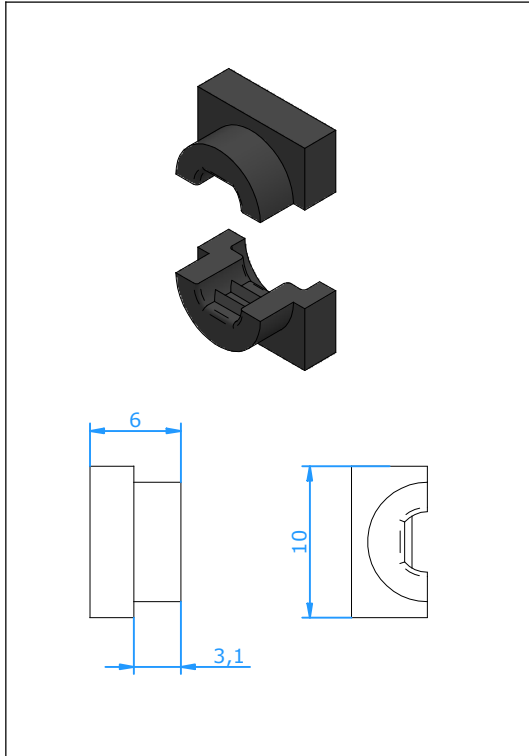
Part Nr. 20.061-1 Two pin connector
20.061-2 Three pin connector

Note: for one set order 2 pcs



Accessories

Standard Connector Wire Insert



Application

A set wire inserts fitted in the entrance hole of the connector will provide a very good strain relief without any protruding parts from the connector.

Construction

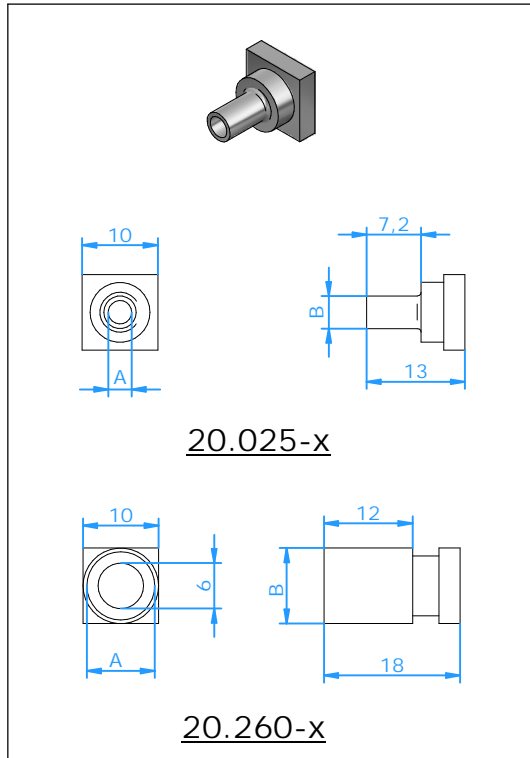
Thermoplastic material with a round or oval hole to fit around a specific wire.

Part Nr.	Round/Oval	Wire
20.076-5	Round	3,5 mm
20.076-24	Round	2,0 x 1,5 mm



Accessories

Standard Connector Crimp-insert



Application

Crimp-insert can be fitted in the entrance hole of the connector. Designed for soldering or crimping on mineral insulated cable or crimping on insulated wire.

Construction

Brass machined, nickel plated insert with 0,1 mm tolerance on the cable OD. The adapter fits in all standard connectors.

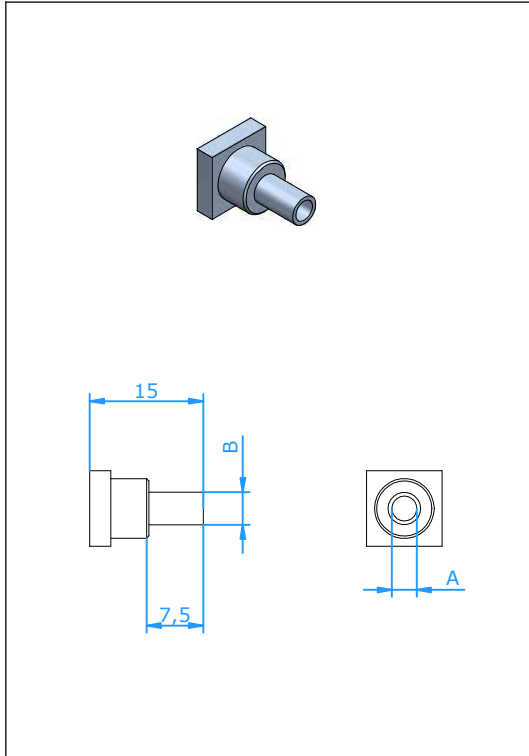
Part Nr.	A	B
<u>20.025-1</u>	<u>1,10 mm</u>	<u>2,40 mm</u>
<u>20.025-2</u>	<u>1,60 mm</u>	<u>2,40 mm</u>
<u>20.025-3</u>	<u>1,70 mm</u>	<u>2,40 mm</u>
<u>20.025-4</u>	<u>2,10 mm</u>	<u>3,20 mm</u>
<u>20.025-5</u>	<u>2,40 mm</u>	<u>3,20 mm</u>
<u>20.025-6</u>	<u>3,10 mm</u>	<u>4,30 mm</u>
<u>20.025-7</u>	<u>3,30 mm</u>	<u>4,30 mm</u>
<u>20.025-8</u>	<u>4,60 mm</u>	<u>6,00 mm</u>
<u>20.025-9</u>	<u>4,90 mm</u>	<u>6,00 mm</u>
<u>20.025-10</u>	<u>6,10 mm</u>	<u>7,90 mm</u>
<u>20.025-11</u>	<u>6,50 mm</u>	<u>7,90 mm</u>
<u>20.025-12</u>	<u>0,00 mm</u>	<u>7,90 mm</u>
<u>20.025-13</u>	<u>5,60 mm</u>	<u>6,50 mm</u>
<u>20.025-14</u>	<u>7,00 mm</u>	<u>7,90 mm</u>
<u>20.025-16</u>	<u>4,10 mm</u>	<u>6,00 mm</u>

20.260-1	9,00 mm	10,00 mm
20.260-2	8,10 mm	9,00 mm



Accessories

Standard Connector Braze/Crimp adapter



Application

Adapter can be fitted in the entrance hole of the connector to braze/crimp in mineral isolated cable.

Construction

Stainless steel adapter, AISI-303 / DIN-1.4305

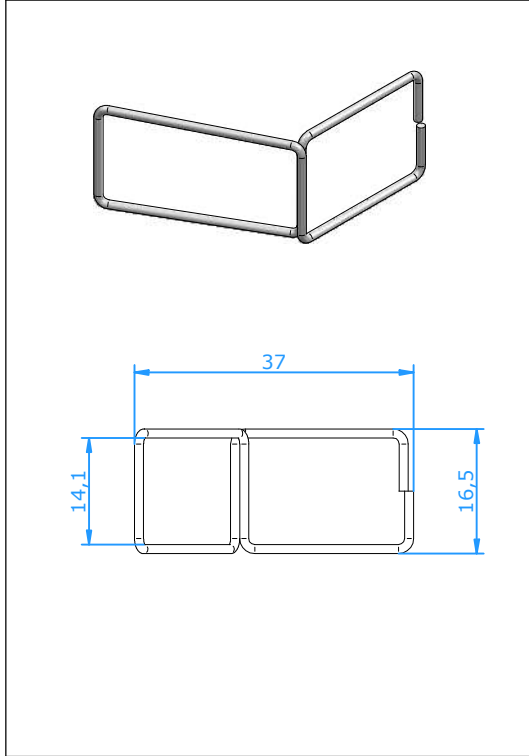
The adapter fits in all standard connectors.

Partnr.	A	B
20332-1	1,10 mm	2,40 mm
20332-2	1,60 mm	2,40 mm
20332-3	1,70 mm	2,40 mm
20332-4	2,10 mm	3,20 mm
20332-5	2,40 mm	3,20 mm
20332-6	3,10 mm	4,30 mm
20332-7	3,30 mm	4,30 mm
20332-8	4,60 mm	6,00 mm
20332-9	4,90 mm	6,00 mm
20332-10	6,10 mm	7,90 mm
20332-11	6,50 mm	7,90 mm
20332-14	7,00 mm	7,90 mm



Accessories

Standard Connector Locking Clip

**Application**

In order to prevent accidental disconnection a locking clip can be used.

Construction

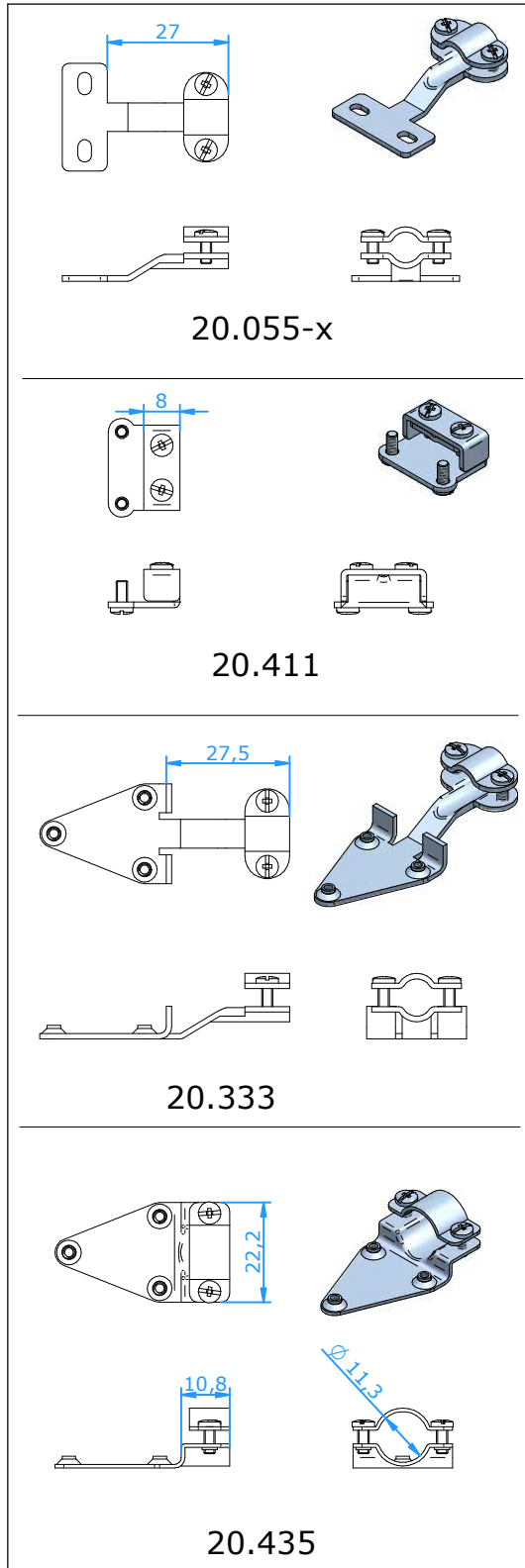
- Stainless Steel clip
- Can be placed without any tools

Part Nr. 20.269



Accessories

Standard Connector Wire Clamp Bracket



Application

Wire clamp bracket will provide optimum strain relief. Construction allows a large difference in maximum and minimum wire diameter. Compact version designed especially to be used with small wire diameters.

Construction

All stainless steel, incl stainless steel screws

Part Nr.

20.055-1 standard connector

fits on all connectors CSP(L), CSJ, CSPH(L), CSJH, CSPQ(L), CSJQ, CSPT(L) and CSJT

20.055-2 standard connector ceramic

fits on all connectors CSPC(L), CSJC

20.055-5 standard connector duplex

fits on all connectors CSPD(L), CSJD

20.055-6 standard connector ceramic quick connect

fits on all connectors CSPCQ(L), CSJCQ

wire size for 20.055-X

4,5 - 7,5 mm

20.411 standard connector (Compact version)

fits on all connectors CSP(L), CSJ, CSPH(L), CSJH, CSPQ(L), CSJQ, CSPT(L) and CSJT

wire size for 20.411

0,5 - 4,0 mm

20.333 standard connector ultra high temp

fits on all connectors CSPU(L), CSJU

wire size for 20.333

4,5 - 7,5 mm

20.435 standard connector ultra high temp

fits on all connectors CSPU(L), CSJU

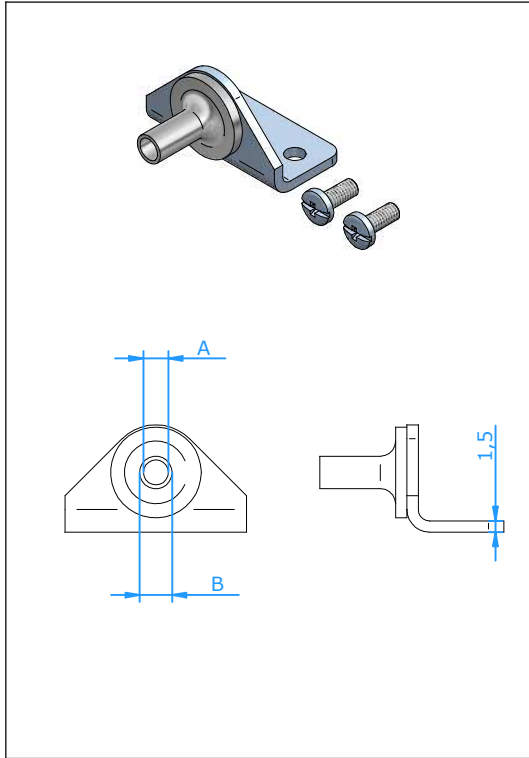
wire size for 20.435

11,3 mm Tube



Accessories

Standard Connector L-Bracket crimp-adapter



Application

L-Bracket can be fitted on the connector, the brass crimp-adapter is specially treated to crimp on mineral isolated cable.

Construction

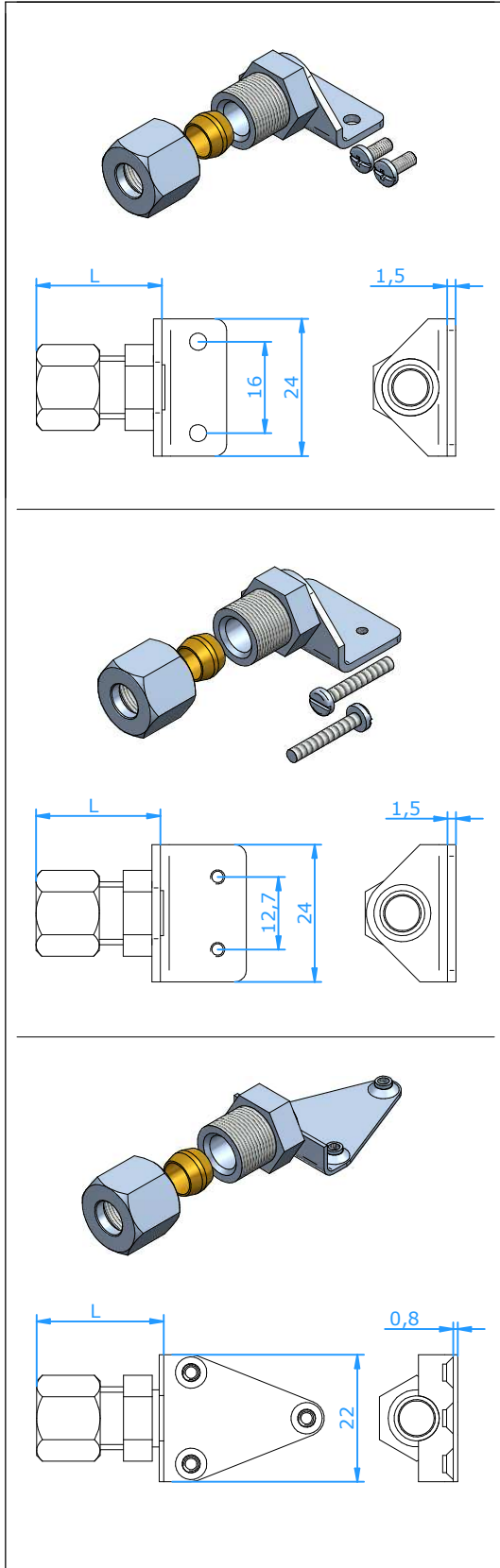
Stainless steel L-Bracket with brass crimp-adapter, chrome plated.

Part Nr.	Dimension A	Dimension B
20.351-1	1,7 mm - 1/16"	2,4 mm
20.351-2	3,3 mm - 1/8"	4,3 mm
20.351-3	4,9 mm - 3/16"	6,0 mm
20.351-4	6,5 mm - 1/4"	7,9 mm
20.351-5	3,1 mm	4,3 mm
20.351-6	6,1 mm	7,9 mm



Accessories

Standard Connector Tube Adapter



Application

Can be used to mount the connector on mineral insulated cable or a tube type thermocouple. Can be used several times if not overtightened.

Construction

Stainless steel compression fitting with a brass ferrule on stainless steel bracket

Standard Connector

Part Nr.	Diameter	Dim. L	Wrench size
20.154-1	1,7 mm - 1/16"	+/- 19 mm	Hex 10 mm
20.154-2	3,3 mm - 1/8"	+/- 20 mm	Hex 10 mm
20.154-3	4,9 mm - 3/16"	+/- 23 mm	Hex 13 mm
20.154-4	6,5 mm - 1/4"	+/- 24 mm	Hex 13 mm
20.154-5	8,1 mm - 5/16"	+/- 25 mm	Hex 16 mm
20.154-6	6,0 mm	+/- 24 mm	Hex 13 mm
20.154-7	9,7 mm - 3/8"	+/- 26 mm	Hex 16 mm

This tube adapter fits on all connectors CSP(L), CSJ, CSPH(L), CSJH, CSPQ(L), CSJQ, CSPT(L) and CSJT.

Standard Connector Ceramic

Part Nr.	Diameter	Dim. L	Wrench size
20.344-1	1,7 mm - 1/16"	+/- 19 mm	Hex 10 mm
20.344-2	3,3 mm - 1/8"	+/- 20 mm	Hex 10 mm
20.344-3	4,9 mm - 3/16"	+/- 23 mm	Hex 13 mm
20.344-4	6,5 mm - 1/4"	+/- 24 mm	Hex 13 mm
20.344-5	8,1 mm - 5/16"	+/- 25 mm	Hex 16 mm
20.344-6	6,0 mm	+/- 24 mm	Hex 13 mm
20.344-7	9,7 mm - 3/8"	+/- 26 mm	Hex 16 mm

This tube adapter fits on all connectors CSPC(L), CSJC, CSPCQ(L), CSJCQ.

Standard Connector Ultra High Temp

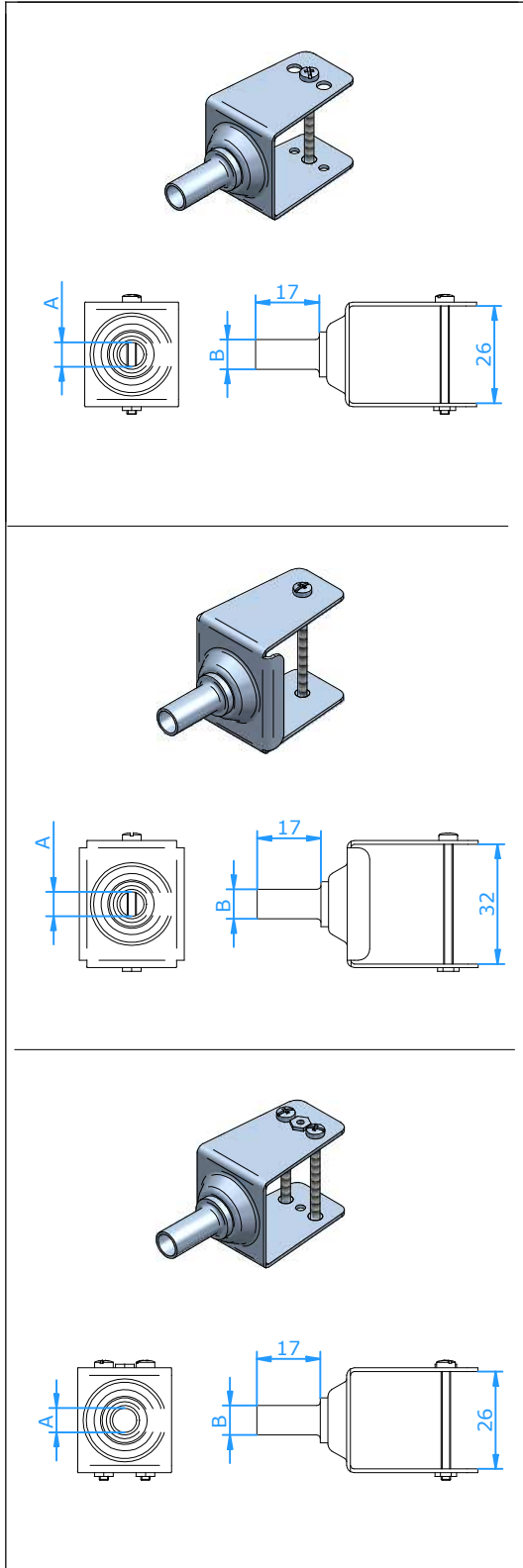
Part Nr.	Diameter	Dim. L	Wrench size
20.345-1	1,7 mm - 1/16"	+/- 19 mm	Hex 10 mm
20.345-2	3,3 mm - 1/8"	+/- 20 mm	Hex 10 mm
20.345-3	4,9 mm - 3/16"	+/- 23 mm	Hex 13 mm
20.345-4	6,5 mm - 1/4"	+/- 24 mm	Hex 13 mm
20.345-5	8,1 mm - 5/16"	+/- 25 mm	Hex 16 mm
20.345-6	6,0 mm	+/- 24 mm	Hex 13 mm
20.345-7	9,7 mm - 3/8"	+/- 26 mm	Hex 16 mm

This tube adapter fits on all connectors CSPU(L), CSJU.



Accessories

Standard Connector U-Bracket Braze/Crimp



Application

Allows the use of two standard connectors to be fitted on duplex mineral cable or duplex wire.

Construction

Stainless steel crimp braze/crimp-tube (AISI-303 / DIN 1.4305) on stainless steel bracket.

Standard Connector

Part Nr.	Dimension A	Dimension B
20.116-1	6,1	7,9
20.116-2	8,1	9,9
20.116-3	6,5	7,9
20.116-4	1,7	3,5
20.116-5	3,3	5,1
20.116-6	4,9	6,7
20.116-7	9,5	11,3

This bracket fits on all connectors CSP(L), CSJ, CSPH(L), CSJH, CSPU(L) and CSJU(L).

Standard Connector Ceramic

Part Nr.	Dimension A	Dimension B
20.340-1	6,1	7,9
20.340-2	8,1	9,9
20.340-3	6,5	7,9

This bracket fits on all connectors CSPC(L), CSJC.

Standard Connector 3-Pin

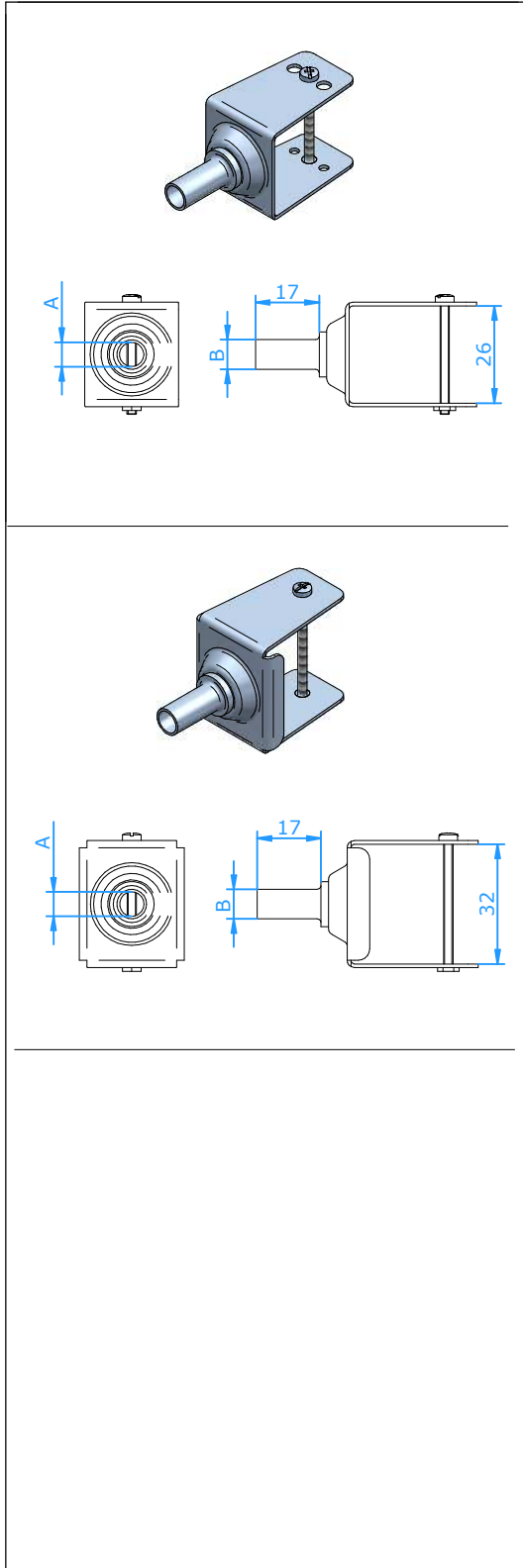
Part Nr.	Dimension A	Dimension B
20.352-1	6,1	7,9
20.352-2	8,1	9,9
20.352-3	6,5	7,9

This bracket fits on all connectors CSPT(L), CSJT.



Accessories

Standard Connector U-Bracket Braze/Crimp



Application

Allows the use of two standard connectors to be fitted on duplex mineral cable or duplex wire.

Construction

Stainless steel crimp braze/crimp-tube (AISI-303 / DIN 1.4305) on stainless steel bracket.

Standard Connector

Part Nr.	Dimension A	Dimension B
20.116-1	6,1	7,9
20.116-2	8,1	9,9
20.116-3	6,5	7,9
20.116-4	1,7	3,5
20.116-5	3,3	5,1
20.116-6	4,9	6,7
20.116-7	9,7	11,3

This bracket fits on all connectors CSP(L), CSJ, CSPH(L), CSJH, CSPU(L) and CSJU(L).

Standard Connector Ceramic

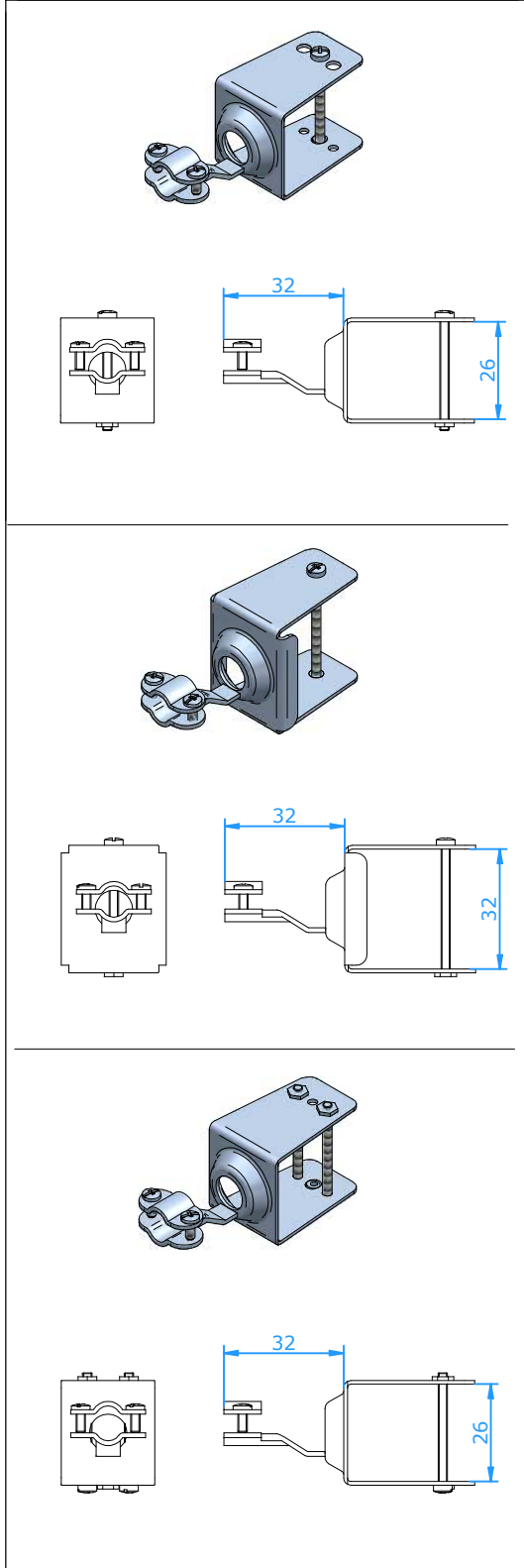
Part Nr.	Dimension A	Dimension B
20.340-1	6,1	7,9
20.340-2	8,1	9,9
20.340-3	6,5	7,9

This bracket fits on all connectors CSPC(L), CSJC.



Accessories

Standard Connector U-Bracket Wire Clamp



Application

Allows the use of two standard connectors to be fitted on duplex wire. Construction provides optimum strainrelief and large difference in minimum and maximum diameter.

Construction

All stainless steel incl. stainless steel screws.

Standard Connector

Part Nr. 20.191

This bracket fits on all connectors CSP(L), CSJ, CSPH(L), CSJH, CSPU(L) and CSJU.

Standard Connector Ceramic

Part Nr. 20.341

This bracket fits on all connectors CSPC(L), CSJC.

Standard Connector 3-Pin

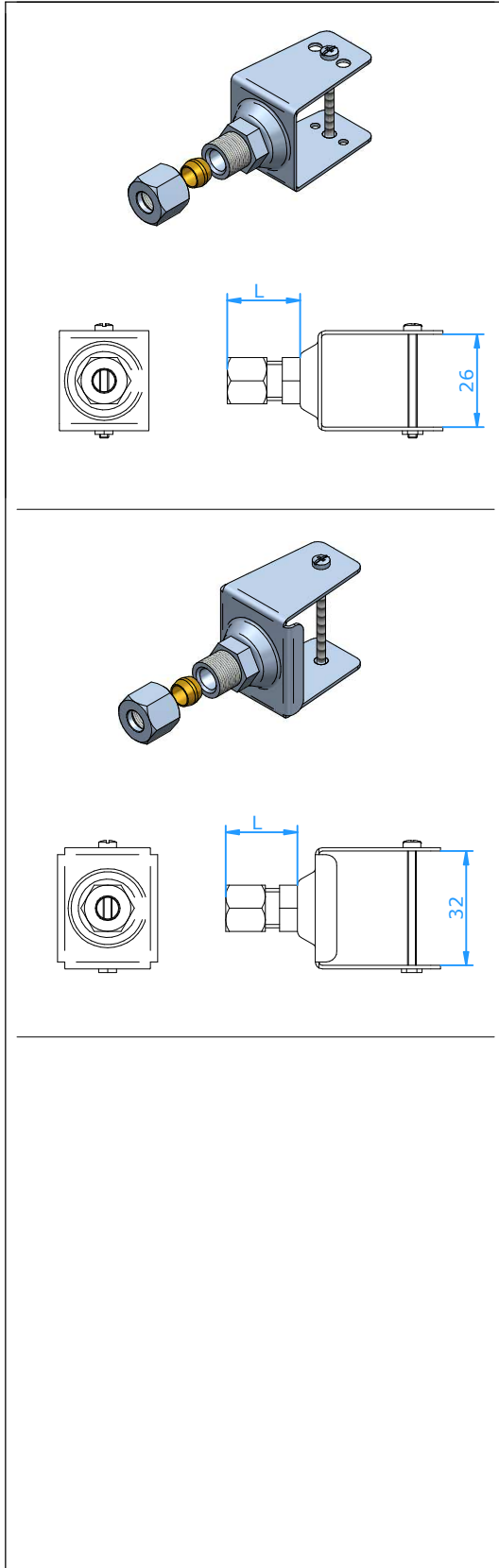
Part Nr. 20.353

This bracket fits on all connectors CSPT(L), CSJT.



Accessories

Standard Connector U Bracket Tube Adapter



Application

Can be used to mount two standard connectors on mineral insulated cable or a tube type thermocouple. Can be used several times if not overtightened.

Construction

Stainless steel compression fitting with a brass ferrule on stainless steel bracket

Standard Connector

Part Nr.	Diameter	Dim. L	Wrench size
20.117-1	1,7 mm - 1/16"	+/- 19 mm	Hex 10 mm
20.117-2	3,3 mm - 1/8"	+/- 20 mm	Hex 10 mm
20.117-3	4,9 mm - 3/16"	+/- 23 mm	Hex 13 mm
20.117-4	6,5 mm - 1/4"	+/- 24 mm	Hex 13 mm
20.117-5	8,1 mm - 5/16"	+/- 25 mm	Hex 16 mm
20.117-6	6,0 mm	+/- 24 mm	Hex 13 mm
20.117-7	9,7 mm - 3/8"	+/- 26 mm	Hex 16 mm

This tube adapter fits on all connectors CSP(L), CSJ, CSPH(L), CSJH, CSPU(L), CSJU.

Standard Connector Ceramic

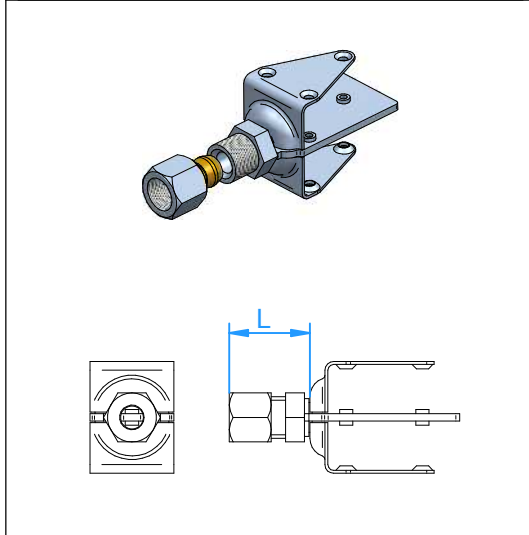
Part Nr.	Diameter	Wrench size
20.342-1	1,7 mm - 1/16"	Hex 10 mm
20.342-2	3,3 mm - 1/8"	Hex 10 mm
20.342-3	4,9 mm - 3/16"	Hex 13 mm
20.342-4	6,5 mm - 1/4"	Hex 13 mm
20.342-6	6,0 mm	Hex 13 mm

This tube adapter fits on all connectors CSPC(L), CSJC.



Accessories

Duplex Bracket Tube Adapter Ultra High Temp Connector



Application

Can be used to mount two ultra high temp connectors on mineral insulated cable or a tube type thermocouple. Can be used several times if not overtightened.

Construction

Stainless steel compression fitting with a brass ferrule on stainless steel bracket

Standard Ultra High Temp Connector

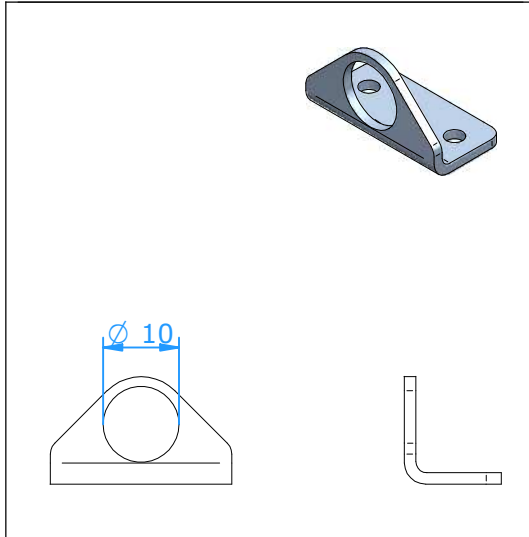
Part Nr.	Diameter	Dim. L	Wrench size
20.430-1	1,7 mm - 1/16"	+/- 19 mm	Hex 10 mm
20.430-2	3,3 mm - 1/8"	+/- 20 mm	Hex 10 mm
20.430-3	4,9 mm - 3/16"	+/- 23 mm	Hex 13 mm
20.430-4	6,5 mm - 1/4"	+/- 24 mm	Hex 13 mm
20.430-5	8,1 mm - 5/16"	+/- 25 mm	Hex 16 mm
20.430-6	6,0 mm	+/- 24 mm	Hex 13 mm
20.430-7	9,7 mm - 3/8"	+/- 26 mm	Hex 16 mm

This tube adapter fits on all standard ultra high temp connectors CSPU(L), CSJU.



Accessories

Standard Connector L-Bracket

**Application**

Can be used to mount custom accessories on the connector.

Construction

Stainless steel bracket

20.065-1**Standard Connector**

This L-Bracket fits on all connectors CSP(L), CSJ, CSPH(L), CSJH, CSPQ(L), CSJQ, CSPT(L) and CSJT.

20.065-2**Standard Connector Ceramic**

This L-Bracket fits on all connectors CSPC(L), CSJC, CSPCQ(L) and CSJCQ.

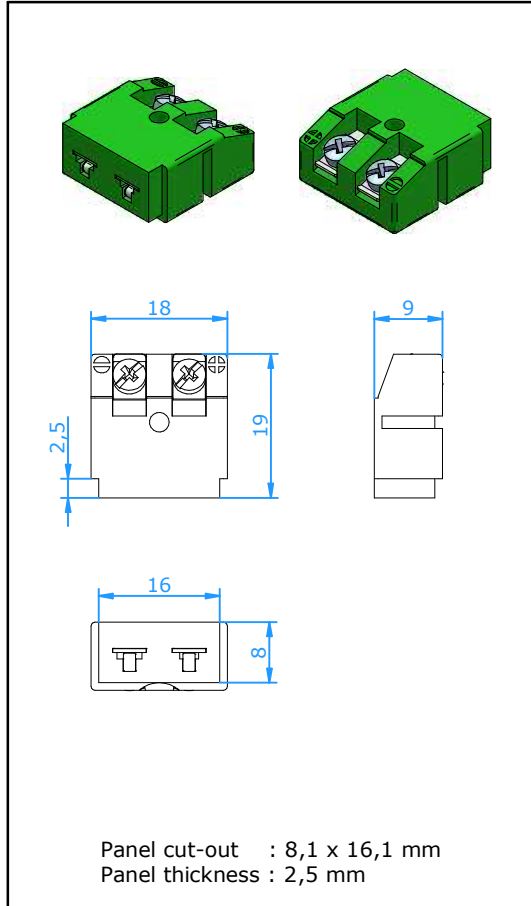
20.065-3**Standard Connector Duplex**

This L-Bracket fits on all connectors CSPD(L) and CSJD.



Panels

Panel Miniature Insert



Application

Panel insert for thermocouple and RTD circuits.
Specially designed to be used together with **Hamitherm** panel set.

Construction

- Glass filled thermoplastic body with original thermocouple material pins and springloaded inserts.
- Polarized pins ensure proper connection.
- Easy wire connection through sandwich construction.
- Molded barriers prevent short circuit.
- Rugged one body design.
- Polarity indication on body.

Wire size

- Accepts wires up to 0,6 mm.

Temperature rating

- 220 °C Max.

Color Code

- Available in all color code standards. Incl. NFE, BS, JIS, etc.

Accessories

- Should be used with panel sets. Please see separate specification sheet.

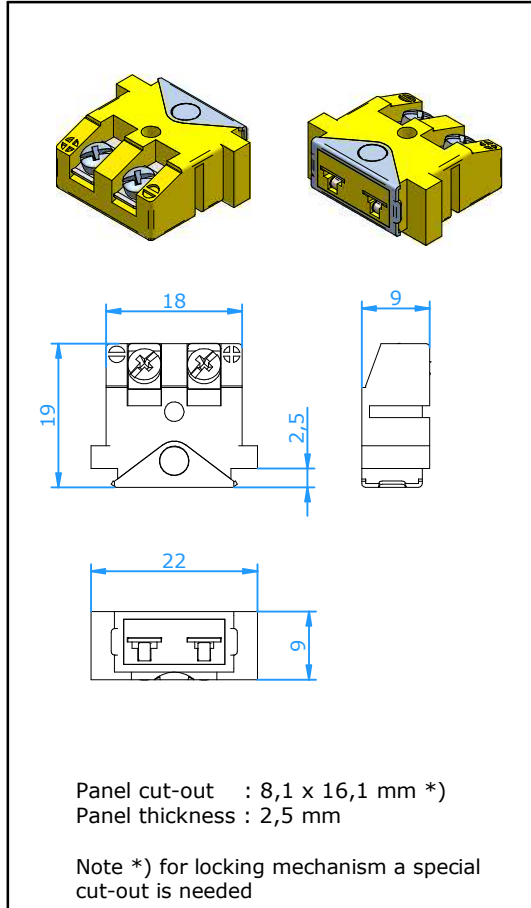
Ordering Code : **PMI-xx** For last two digits 'xx' see table below

Calibration Code	E	J	K	N	T	U	R/S	C	B
Compensation material for							Pt13Rh/ Pt	W5Re/ W26Re	Pt6Rh/ Pt30Rh
Material Positive	NiCr	Fe	NiCr	NiCrSi	Cu	Cu	Cu	CPX	Cu
Material Negative	CuNi	CuNi	NiAl	NiSi	CuNi	Cu	Alloy #11	CNX	Cu
IEC Color Code									
Color Body	Violet	Black	Green	Pink	Brown	White	Orange	Red	Grey
Code	EI	JI	KI	NI	TI	UI	RI	C	BI
ANSI Color Code									
Color Body	Violet	Black	Yellow	Orange	Blue	White	Green	Red	Grey
Code	EI	JI	KA	NA	TA	UI	RA	C	BI
DIN Color Code									
Color Body		Blue	Green		Brown		White		Grey
Code		JD	KI		TI		RD		BI



Panels

Panel Miniature Locking Insert



Application

Locking Panel insert for thermocouple and RTD circuits. When used together with CMLP the locking feature will prevent accidental disconnection due to vibration etc.

Specially designed to be used together with **Hamitherm** panel set.

Construction

- Glass filled thermoplastic body with original thermocouple material pins and springloaded inserts.
- Polarized pins ensure proper connection.
- Easy wire connection through sandwich construction.
- Molded barriers prevent short circuit.
- Rugged one body design.
- Polarity indication on body.

Wire size

- Accepts wires up to 0,6 mm.

Temperature rating

- 220 °C Max.

Color Code

- Available in all color code standards. Incl. NFE, BS, JIS, etc.

Accessories

- Should be used with panel sets. Please see separate specification sheet.

Ordering Code : **PMLI-xx**

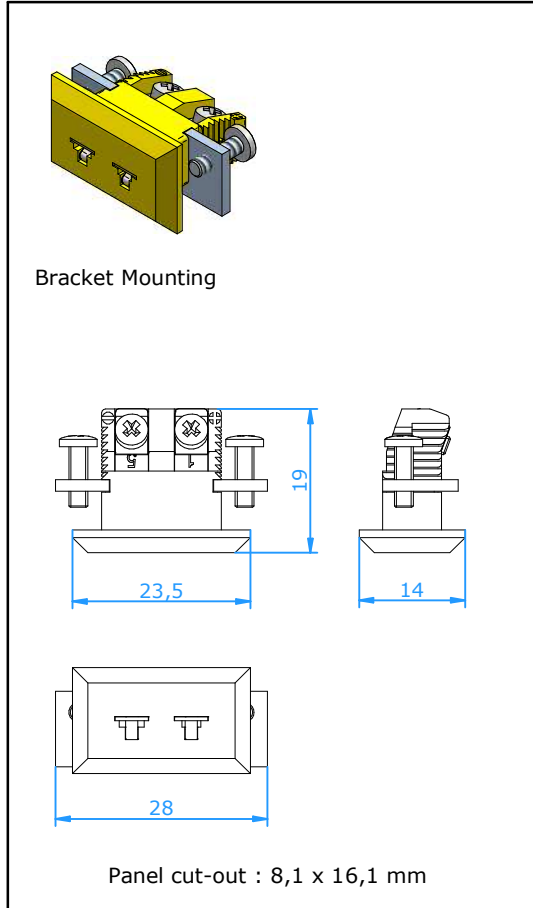
For last two digits 'xx' see table below

Calibration Code	E	J	K	N	T	U	R/S	C	B
Compensation material for							Pt13Rh/ Pt	W5Re/ W26Re	Pt6Rh/ Pt30Rh
Material Positive							Cu	CPX	Cu
Material Negative	NiCr CuNi	Fe CuNi	NiCr NiAl	NiCrSi NiSi	Cu CuNi	Cu Cu	Alloy #11	CNX	Cu
IEC Color Code									
Color Body	Violet	Black	Green	Pink	Brown	White	Orange	Red	Grey
Code	EI	JI	KI	NI	TI	UI	RI	C	BI
ANSI Color Code									
Color Body	Violet	Black	Yellow	Orange	Blue	White	Green	Red	Grey
Code	EI	JI	KA	NA	TA	UI	RA	C	BI
DIN Color Code									
Color Body		Blue	Green		Brown		White		Grey
Code		JD	KI		TI		RD		BI



Panels

Panel Miniature Insert Flanged



Application

Panel insert for thermocouple and RTD circuits.
Mounting by means of stainless steel bracket and two screws. Ideal panelinsert for instrument cases.

Construction

- Glass filled thermoplastic body with original thermocouple material pins and springloaded inserts.
- Polarized pins ensure proper connection.
- Easy wire connection through sandwich construction.
- Molded barriers prevent short circuit.
- Rugged one body design.
- Polarity indication on body
- Stainless steel bracket and screws for rear panel mounting

Wire size

- Accepts wires up to 0,6 mm.

Temperature rating

- 220 °C Max.

Color Code

- Available in all color code standards. Incl. NFE, BS, JIS, etc.

Ordering Code : **PMIFB-xx**

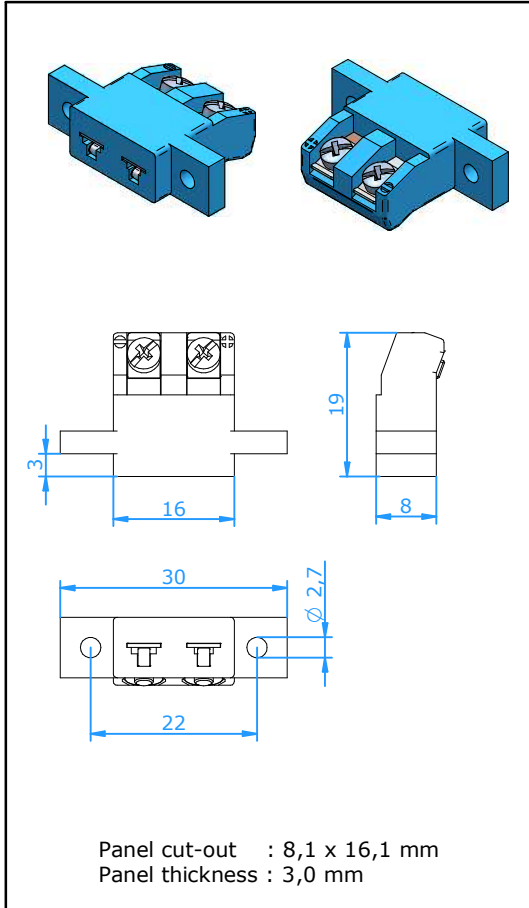
For last two digits 'xx' see table below

Calibration Code	E	J	K	N	T	U	R/S	C	B
Compensation material for Material Positive	NiCr	Fe	NiCr	NiCrSi	Cu	Cu	Pt13Rh/ Pt	W5Re/ W26Re	Pt6Rh/ Pt30Rh
Material Negative	CuNi	CuNi	NiAl	NiSi	CuNi	Cu	Cu Alloy #11	CPX CNX	Cu Cu
IEC Color Code									
Color Body	Violet	Black	Green	Pink	Brown	White	Orange	Red	Grey
Code	EI	JI	KI	NI	TI	UI	RI	C	BI
ANSI Color Code									
Color Body	Violet	Black	Yellow	Orange	Blue	White	Green	Red	Grey
Code	EI	JI	KA	NA	TA	UI	RA	C	BI
DIN Color Code									
Color Body		Blue	Green		Brown		White		Grey
Code		JD	KI		TI		RD		BI



Panels

Panel Miniature Insert Lugged



Application

Panel insert for thermocouple and RTD circuits.
Can be mounted in a single circuit version or in rows in a customer panel. Mounting by means of two M2,5 screws.

Construction

- Glass filled thermoplastic body with original thermocouple material pins and springloaded inserts.
- Polarized pins ensure proper connection.
- Easy wire connection through sandwich construction.
- Molded barriers prevent short circuit.
- Rugged one body design.
- Polarity indication on body.

Wire size

- Accepts wires up to 0,6 mm.

Temperature rating

- 220 °C Max.

Color Code

- Available in all color code standards. Incl. NFE, BS, JIS, etc.

Ordering Code : **PMIL-xx**

For last two digits 'xx' see table below

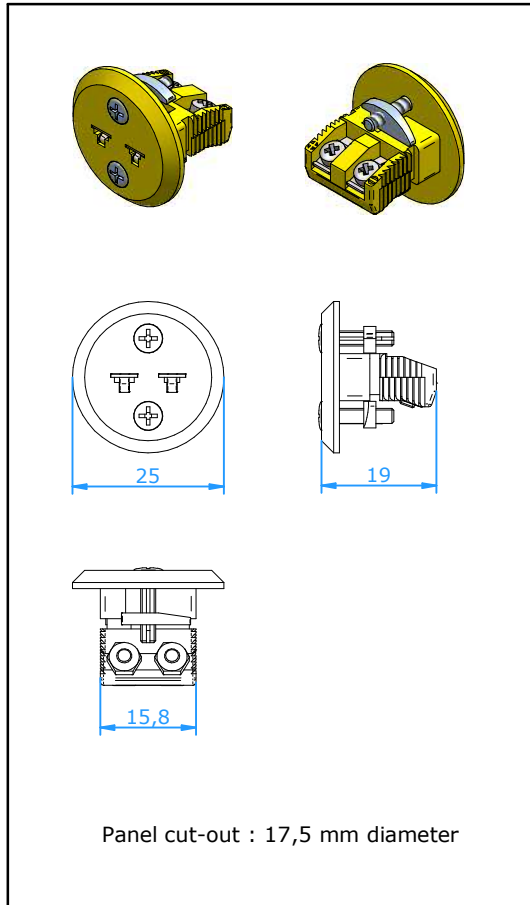
Calibration Code	E	J	K	N	T	U	R/S	C	B
Compensation material for							Pt13Rh/ Pt	W5Re/ W26Re	Pt6Rh/ Pt30Rh
Material Positive	NiCr	Fe	NiCr	NiCrSi	Cu	Cu	Cu	CPX	Cu
Material Negative	CuNi	CuNi	NiAl	NiSi	CuNi	Cu	Alloy #11	CNX	Cu
IEC Color Code									
Color Body	Violet	Black	Green	Pink	Brown	White	Orange	Red	Grey
Code	EI	JI	KI	NI	TI	UI	RI	C	BI
ANSI Color Code									
Color Body	Violet	Black	Yellow	Orange	Blue	White	Green	Red	Grey
Code	EI	JI	KA	NA	TA	UI	RA	C	BI
DIN Color Code									
Color Body		Blue	Green		Brown		White		Grey
Code		JD	KI		TI		RD		BI





Panels

Panel Miniature Insert Round Direct Mount



Application

Panel insert for thermocouple and RTD circuits.

Mounting by means of two screws at the front. Ideal panelinsert for instrument cases.

Construction

- Glass filled thermoplastic body with original thermocouple material pins and springloaded inserts.
- Polarized pins ensure proper connection.
- Easy wire connection through sandwich construction.
- Molded barriers prevent short circuit.
- Rugged one body design.
- Polarity indication on body
- Stainless steel screws and brackets for front mounting

Wire size

- Accepts wires up to 0,6 mm.

Temperature rating

- 220 °C Max.

Color Code

- Available in all color code standards. Incl. NFE, BS, JIS, etc.

Accessories

- Panel Punch for 11/16" – 17,5 mm, partnr. 20.366

Ordering Code :

PMIR-xx

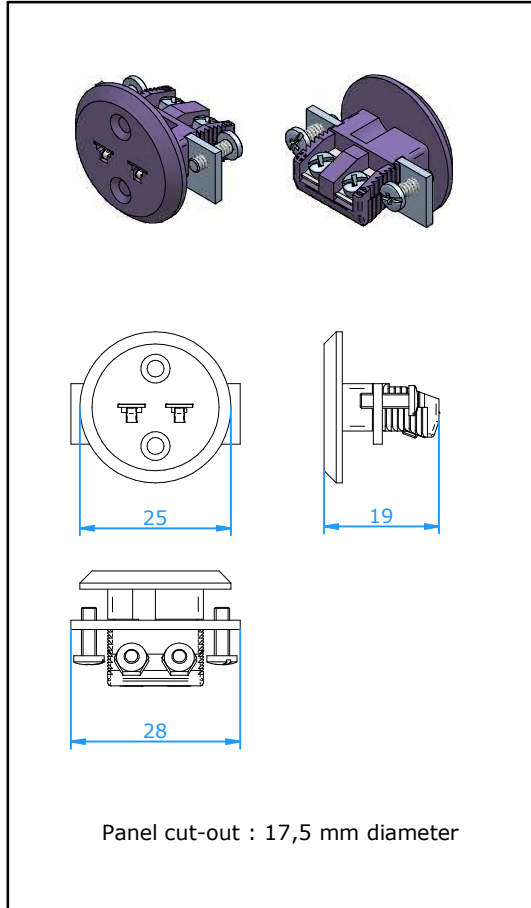
For last two digits 'xx' see table below

Calibration Code	E	J	K	N	T	U	R/S	C	B
Compensation material for							Pt13Rh/ Pt	W5Re/ W26Re	Pt6Rh/ Pt30Rh
Material Positive	NiCr	Fe	NiCr	NiCrSi	Cu	Cu	Cu	CPX	Cu
Material Negative	CuNi	CuNi	NiAl	NiSi	CuNi	Cu	Alloy #11	CNX	Cu
IEC Color Code									
Color Body	Violet	Black	Green	Pink	Brown	White	Orange	Red	Grey
Code	EI	JI	KI	NI	TI	UI	RI	C	BI
ANSI Color Code									
Color Body	Violet	Black	Yellow	Orange	Blue	White	Green	Red	Grey
Code	EI	JI	KA	NA	TA	UI	RA	C	BI
DIN Color Code									
Color Body		Blue	Green		Brown		White		Grey
Code		JD	KI		TI		RD		BI



Panels

Panel Miniature Insert Round Bracket Mount



Application

Panel insert for thermocouple and RTD circuits.
Mounting by means of a stainless steel bracket with two screws behind the panel. Ideal panelinsert for instrument cases.

Construction

- Glass filled thermoplastic body with original thermocouple material pins and springloaded inserts.
- Polarized pins ensure proper connection.
- Easy wire connection through sandwich construction.
- Molded barriers prevent short circuit.
- Rugged one body design.
- Polarity indication on body
- Stainless steel bracket and screws for rear panel mounting

Wire size

- Accepts wires up to 1,6 mm.

Temperature rating

- 220 °C Max.

Color Code

- Available in all color code standards. Incl. NFE, BS, JIS, etc.

Accessories

- Panel Punch for 11/16" – 17,5 mm, partnr. 20.366

Ordering Code : **PMIRB-xx**

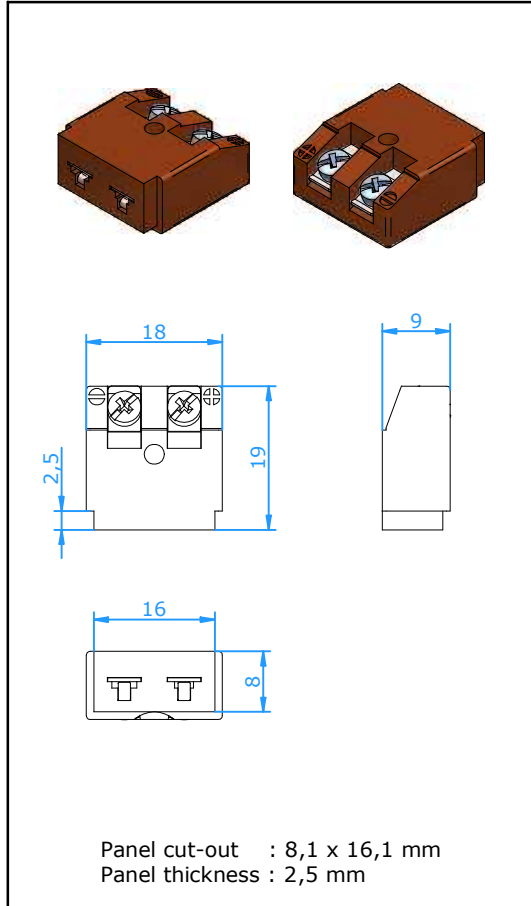
For last two digits 'xx' see table below

Calibration Code	E	J	K	N	T	U	R/S	C	B
Compensation material for							Pt13Rh/ Pt	W5Re/ W26Re	Pt6Rh/ Pt30Rh
Material Positive	NiCr	Fe	NiCr	NiCrSi	Cu	Cu	Cu	CPX	Cu
Material Negative	CuNi	CuNi	NiAl	NiSi	CuNi	Cu	Alloy #11	CNX	Cu
IEC Color Code									
Color Body	Violet	Black	Green	Pink	Brown	White	Orange	Red	Grey
Code	EI	JI	KI	NI	TI	UI	RI	C	BI
ANSI Color Code									
Color Body	Violet	Black	Yellow	Orange	Blue	White	Green	Red	Grey
Code	EI	JI	KA	NA	TA	UI	RA	C	BI
DIN Color Code									
Color Body		Blue	Green		Brown		White		Grey
Code		JD	KI		TI		RD		BI



Panels

Panel Miniature Insert High Temperature



Application

Panel insert for thermocouple and RTD circuits.
Specially designed to be used together with **Hamitherm** miniature panel set.

Construction

- Thermoset body with original thermocouple material pins and springloaded inserts.
- Polarized pins.
- Molded barriers prevent short circuit.
- Rugged one body design
- Polarity indication next to connection screws.

Wire size

- Accepts wires up to 0,6 mm.

Temperature rating

- 350 °C Max.

Color Code

- Body color brown. Calibration indication printed on body

Accessories

- Should be used with **Hamitherm** panel sets. Please see separate specification sheet.

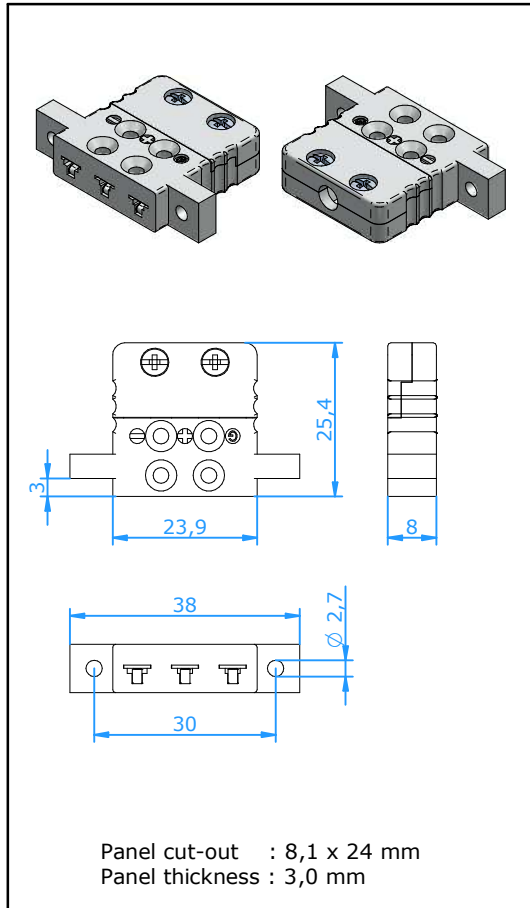
Ordering Code : **PMIH-x** 'x' is Calibration Code (see tabel below)

Calibration Code Compensation material for	E	J	K	N	T	U	R/S Pt13Rh/ Pt	C W5Re/ W26Re	B Pt6Rh/ Pt30Rh
Material Positive	NiCr	Fe	NiCr	NiCrSi	Cu	Cu ¹⁾	Cu	CPX	Cu ¹⁾
Material Negative	CuNi	CuNi	NiAl	NiSi	CuNi	Cu ¹⁾	Alloy #11	CNX	Cu ¹⁾



Panels

Panel Miniature Insert Three Pin Lugged



Application

Panel insert for thermocouple and RTD circuits. Suited for wires and mineral insulated cable. Third connection for ground or continuous shield or for three wire RTD's. Can be mounted in a single circuit version or in rows in customer panel. Mounting by means of two M 2,5 screws.

Construction

- Glass filled thermoplastic body with original thermocouple material pins and springloaded inserts.
- Polarized pins ensure proper connection.
- Easy wire connection through sandwich construction.
- Molded barriers prevent short circuit.
- Rugged one body design.

Wire size

- Accepts wires up to 0,6 mm.
- Maximum cable diameter 4,5 mm.

Temperature rating

- 220 °C Max.

Color Code

- Available in all color code standards. Incl. NFE, BS, JIS, etc.

Accessories

- Most accessories for the miniature connectors can be fitted. See separate specification sheet.

Ordering Code : PMITL-xx

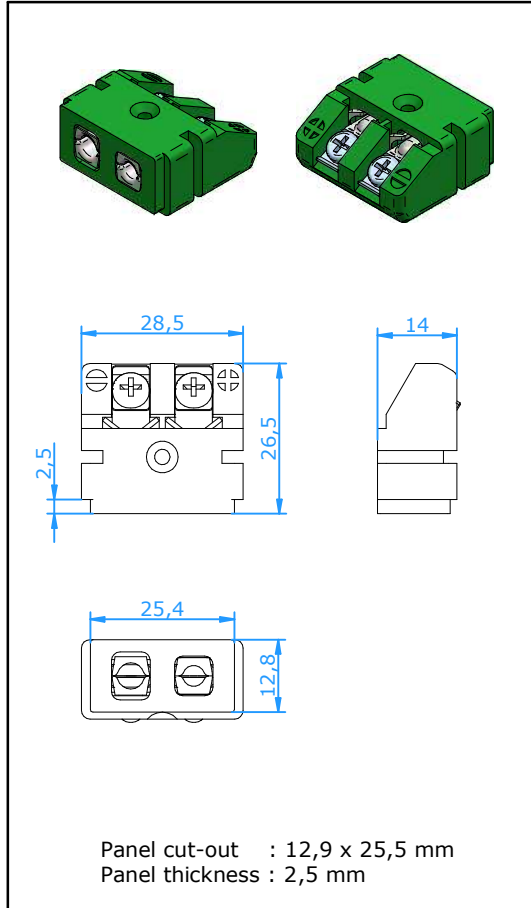
For last two digits 'xx' see table below

Calibration Code	E	J	K	N	T	U	R/S	C	B
Compensation material for Material Positive							Pt13Rh/ Pt	W5Re/ W26Re	Pt6Rh/ Pt30Rh
Material Negative	NiCr CuNi	Fe CuNi	NiCr NiAl	NiCrSi NiSi	Cu CuNi	Cu Cu	Cu Alloy #11	CPX CNX	Cu Cu
IEC Color Code									
Color Body	Violet	Black	Green	Pink	Brown	White	Orange	Red	Grey
Code	EI	JI	KI	NI	TI	UI	RI	C	BI
ANSI Color Code									
Color Body	Violet	Black	Yellow	Orange	Blue	White	Green	Red	Grey
Code	EI	JI	KA	NA	TA	UI	RA	C	BI
DIN Color Code									
Color Body		Blue	Green		Brown		White		Grey
Code		JD	KI		TI		RD		BI



Panels

Panel Standard Insert



Application

Panel insert for thermocouple and RTD circuits.
Specially designed to be used together with **Hamitherm** panel sets.

Construction

- Glass filled thermoplastic body with original thermocouple material pins and springloaded inserts.
- Polarized pins.
- Molded barriers prevent short circuit.
- Polarity indication next to connection screws.

Wire size

- Accepts wires up to 1,6 mm.

Temperature rating

- 220 °C Max.

Color Code

- Available in all color code standards, incl. NFE, BS, JIS, etc.

Accessories

- Should be used with Hamitherm panel sets. Please see separate specification sheet.

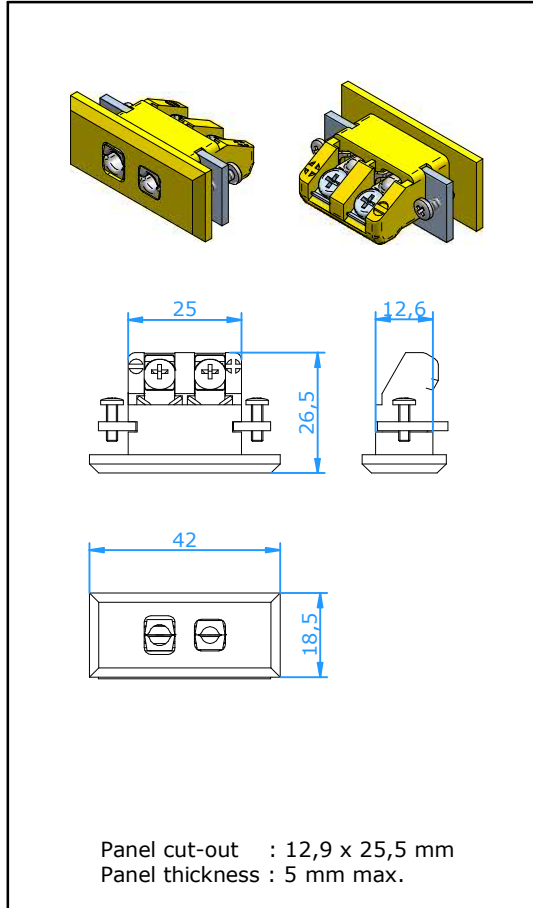
Ordering Code : **PSI-xx** For last two digits 'xx' see table below

Calibration Code	E	J	K	N	T	U	R/S	C	B
Compensation material for Material Positive							Pt13Rh/ Pt	W5Re/ W26Re	Pt6Rh/ Pt30Rh
Material Negative	NiCr CuNi	Fe CuNi	NiCr NiAl	NiCrSi NiSi	Cu CuNi	Cu Cu	Cu Alloy #11	CPX CNX	Cu Cu
IEC Color Code									
Color Dot Code	Violet EI	Black JI	Green KI	Pink NI	Brown TI	White UI	Orange RI	Red C	Grey BI
ANSI Color Code									
Color Dot Code	Violet EI	Black JI	Yellow KA	Orange NA	Blue TA	White UI	Green RA	Red C	Grey BI
DIN Color Code									
Color Dot Code		Blue JD	Green KI		Brown TI		White RD		Grey BI



Panels

Panel Standard Insert Flanged Bracket Mounting



Application

Panel insert for thermocouple and RTD circuits. Mounting by means of a stainless steel bracket and two screws.

Construction

- Glass filled thermoplastic body with original thermocouple material pins and springloaded inserts.
- Polarized pins ensure proper connection.
- Molded barriers prevent short circuit.
- Polarity indication on the body
- Rugged one body design.
- Stainless steel screws and bracket for rear mounting

Wire size

- Accepts wires up to 1,6 mm.

Temperature Rating

- 220 °C Max.

Color Code:

- Available in all color code standards, incl. NFE, BS, JIS, etc.

Ordering Code : **PSIFB-xx**

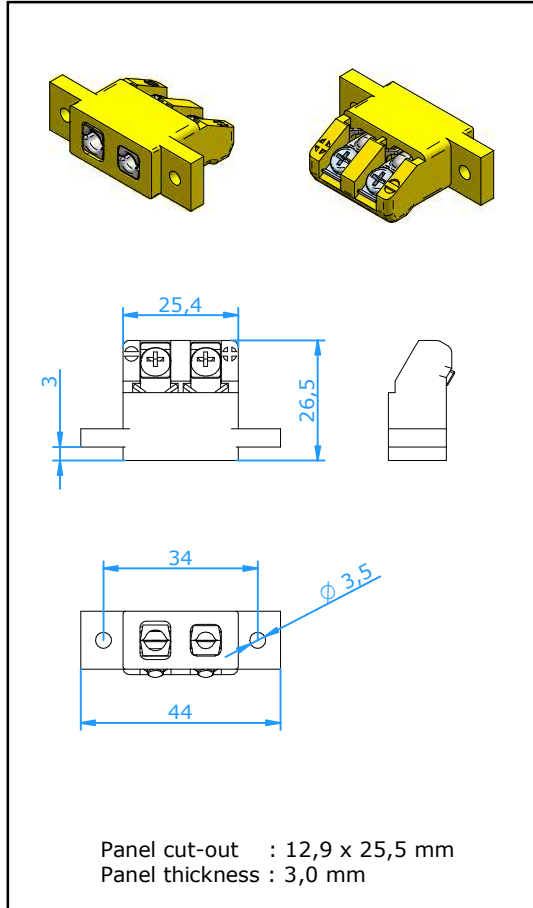
For last two digits 'xx' see table below

Calibration Code	E	J	K	N	T	U	R/S	C	B
Compensation material for Material Positive							Pt13Rh/ Pt	W5Re/ W26Re	Pt6Rh/ Pt30Rh
Material Negative	NiCr CuNi	Fe CuNi	NiCr NiAl	NiCrSi NiSi	Cu CuNi	Cu Cu	Cu Alloy #11	CPX CNX	Cu Cu
IEC Color Code									
Color Body	Violet	Black	Green	Pink	Brown	White	Orange	Red	Grey
Code	EI	JI	KI	NI	TI	UI	RI	C	BI
ANSI Color Code									
Color Body	Violet	Black	Yellow	Orange	Blue	White	Green	Red	Grey
Code	EI	JI	KA	NA	TA	UI	RA	C	BI
DIN Color Code									
Color Body		Blue	Green		Brown		White		Grey
Code		JD	KI		TI		RD		BI



Panels

Panel Standard Insert Lugged



Application

Panel insert for thermocouple and RTD circuits.
Can be mounted in a single circuit version or in rows in customer panels. Mounting by means of two M3 screws.

Construction

- Glass filled thermoplastic body with original thermocouple material pins and springloaded inserts.
- Polarized pins.
- Molded barriers prevent short circuit.
- Polarity indication next to connection screws.

Wire size

- Accepts wires up to 1,6 mm.

Temperature rating

- 220 °C Max.

Color Code

- Available in all color code standards. Incl. NFE, BS, JIS, etc.

Ordering Code : PSIL-xx

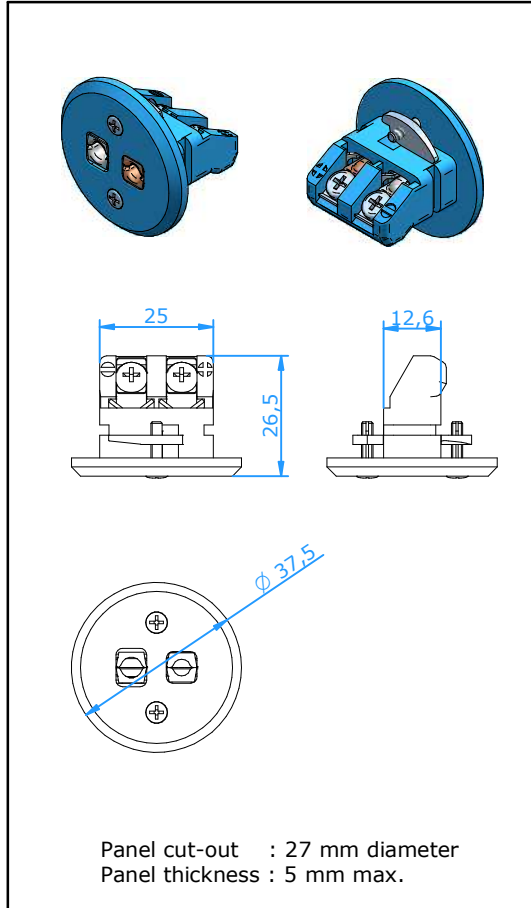
For last two digits 'xx' see table below

Calibration Code	E	J	K	N	T	U	R/S	C	B
Compensation material for Material Positive							Pt13Rh/ Pt	W5Re/ W26Re	Pt6Rh/ Pt30Rh
Material Negative	NiCr CuNi	Fe CuNi	NiCr NiAl	NiCrSi NiSi	Cu CuNi	Cu Cu	Cu Alloy #11	CPX CNX	Cu Cu
IEC Color Code									
Color Body	Violet	Black	Green	Pink	Brown	White	Orange	Red	Grey
Code	EI	JI	KI	NI	TI	UI	RI	C	BI
ANSI Color Code									
Color Body	Violet	Black	Yellow	Orange	Blue	White	Green	Red	Grey
Code	EI	JI	KA	NA	TA	UI	RA	C	BI
DIN Color Code									
Color Body		Blue	Green		Brown		White		Grey
Code		JD	KI		TI		RD		BI



Panels

Panel Standard Insert Round Direct Mounting



Application

Panel insert for thermocouple and RTD circuits. Mounting by means of two screws at the front¹⁾.

Construction

- Glass filled thermoplastic body with original thermocouple material pins and springloaded inserts.
- Polarized pins ensure proper connection.
- Easy wire connection through sandwich construction.
- Molded barriers prevent short circuit.
- Rugged one body design.
- Polarity indication on body
- Stainless steel screws and brackets for front mounting¹⁾

Wire size

- Accepts wires up to 1,6 mm.

Temperature Rating

- 220 °C Max.

Color Code

- Available in all color code standards, incl. NFE, BS, JIS, etc.

Accessories

- Panel Punch for 27 mm, partnr. 20.367

Note

¹⁾ For other mounting options please see separate specification sheet for PSIRB-xx.

Ordering Code : **PSIR-xx**

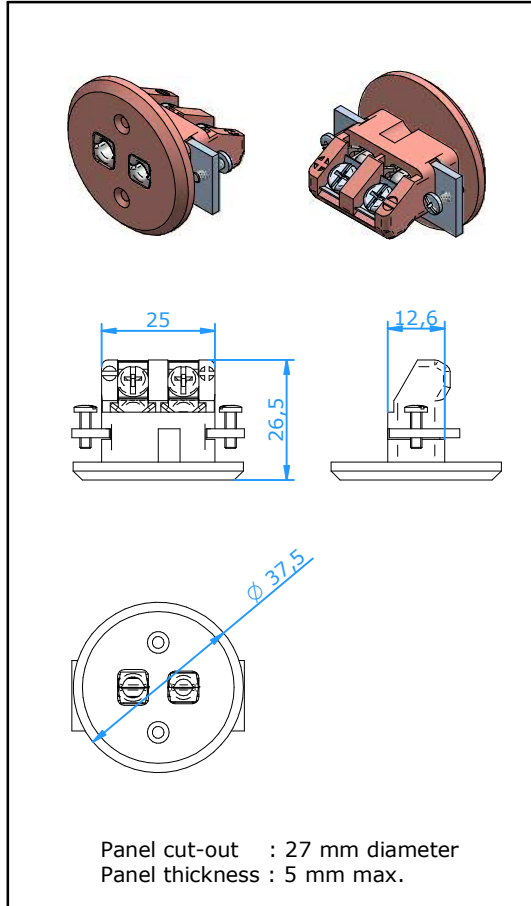
For last two digits 'xx' see table below

Calibration Code	E	J	K	N	T	U	R/S	C	B
Compensation material for Material Positive	NiCr	Fe	NiCr	NiCrSi	Cu	Cu	Pt13Rh/ Pt	W5Re/ W26Re	Pt6Rh/ Pt30Rh
Material Negative	CuNi	CuNi	NiAl	NiSi	CuNi	Cu	Cu Alloy #11	CPX CNX	Cu Cu
IEC Color Code									
Color Body	Violet	Black	Green	Pink	Brown	White	Orange	Red	Grey
Code	EI	JI	KI	NI	TI	UI	RI	C	BI
ANSI Color Code									
Color Body	Violet	Black	Yellow	Orange	Blue	White	Green	Red	Grey
Code	EI	JI	KA	NA	TA	UI	RA	C	BI
DIN Color Code									
Color Body		Blue	Green		Brown		White		Grey
Code		JD	KI		TI		RD		BI



Panels

Panel Insert Round Bracket Mount



Application

Panel insert for thermocouple and RTD circuits.
Suited for small wires. Mounting by means of two screws with a bracket behind the panel ¹⁾.

Construction

- Glass filled thermoplastic body with original thermocouple material pins and springloaded inserts.
- Polarized pins ensure proper connection.
- Easy wire connection through sandwich construction.
- Molded barriers prevent short circuit.
- Rugged one body design.
- Polarity indication on body
- Stainless steel screws and bracket for rear mounting ¹⁾

Wire size

- Accepts wires up to 1,6 mm.

Temperature Rating

- 220 °C Max.

Color Code

- Available in all color code standards, incl. NFE, BS, JIS, etc.

Accessories

- Panel Punch for 27 mm, partnr. 20.367

Note

¹⁾ For other mounting options please see separate specification sheet for PSIR-xx.

Ordering Code : **PSIRB-xx**

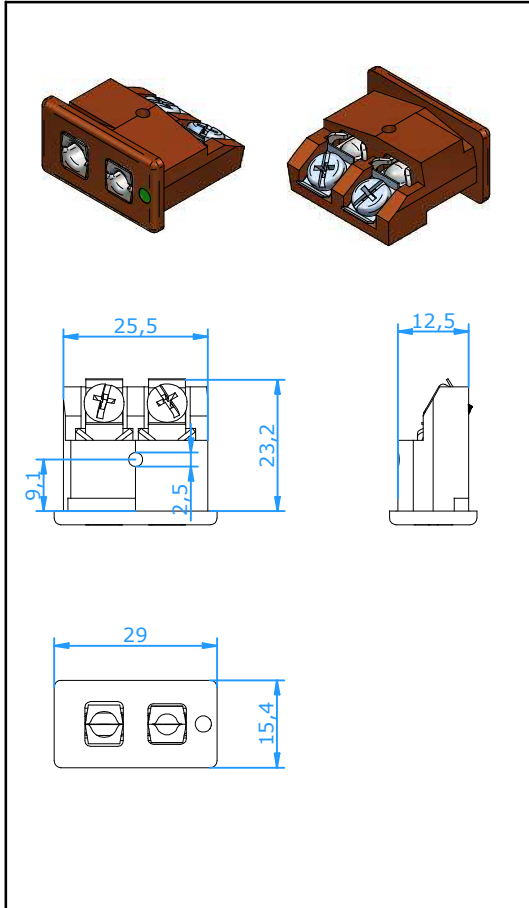
For last two digits 'xx' see table below

Calibration Code	E	J	K	N	T	U	R/S	C	B
Compensation material for Material Positive	NiCr	Fe	NiCr	NiCrSi	Cu	Cu	Pt13Rh/ Pt	W5Re/ W26Re	Pt6Rh/ Pt30Rh
Material Negative	CuNi	CuNi	NiAl	NiSi	CuNi	Cu	Cu Alloy #11	CPX CNX	Cu Cu
IEC Color Code									
Color Body	Violet	Black	Green	Pink	Brown	White	Orange	Red	Grey
Code	EI	JI	KI	NI	TI	UI	RI	C	BI
ANSI Color Code									
Color Body	Violet	Black	Yellow	Orange	Blue	White	Green	Red	Grey
Code	EI	JI	KA	NA	TA	UI	RA	C	BI
DIN Color Code									
Color Body		Blue	Green		Brown		White		Grey
Code		JD	KI		TI		RD		BI



Panels

Panel Standard Insert High Temperature Twist and Lock



Application

Panel insert for thermocouple and RTD circuits.

Specially designed to be used together with **Hamitherm** high temperature stainless steel panels.

Construction

- Thermosetting body with original thermocouple material pins and springloaded inserts.
- Polarized pins.
- Molded barriers prevent short circuit.
- Polarity indication next to connection screws.

Wire size

- Accepts wires up to 1,6 mm.

Temperature rating

- 350 °C Max.

Color Code

- Body color brown, calibration indicated by colored dot.

Accessories

- Should be used with Hamitherm stainless steel panels.

Ordering Code : **PSIHO-xx**

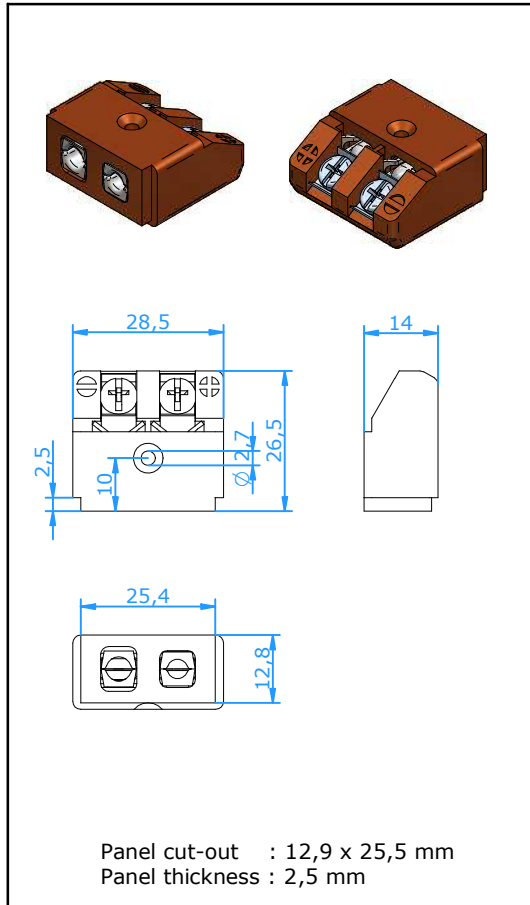
For last two digits 'xx' see table below

Calibration Code	E	J	K	N	T	U	R/S	C	B
Compensation material for							Pt13Rh/ Pt	W5Re/ W26Re	Pt6Rh/ Pt30Rh
Material Positive	NiCr	Fe	NiCr	NiCrSi	Cu	Cu	Cu	CPX	Cu
Material Negative	CuNi	CuNi	NiAl	NiSi	CuNi	Cu	Alloy #11	CNX	Cu
IEC Color Code									
Color Dot	Violet	Black	Green	Pink	Brown	White	Orange	Red	Grey
Code	EI	JI	KI	NI	TI	UI	RI	C	BI
ANSI Color Code									
Color Dot	Violet	Black	Yellow	Orange	Blue	White	Green	Red	Grey
Code	EI	JI	KA	NA	TA	UI	RA	C	BI
DIN Color Code									
Color Dot		Blue	Green		Brown		White		Grey
Code		JD	KI		TI		RD		BI



Panels

Panel Standard Insert High Temperature



Application

Panel insert for thermocouple and RTD circuits.

Specially designed to be used together with **Hamitherm** panel sets.

Construction

- Thermoset body with original thermocouple material pins and springloaded inserts.
- Polarized pins.
- Molded barriers prevent short circuit.
- Polarity indication next to connection screws.

Wire size

- Accepts wires up to 1,6 mm.

Temperature rating

- 350 °C Max.

Color Code

- Body color brown. Calibration indication printed on body

Accessories

- Should be used with **Hamitherm** panel sets. Please see separate specification sheet.

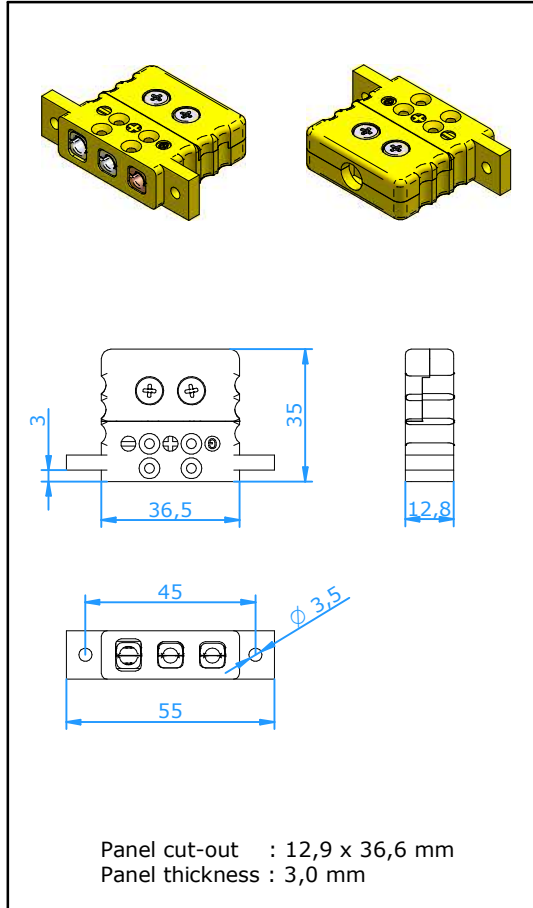
Ordering Code : **PSIH-x** x' is Calibration Code (see tabel below)

Calibration Code Compensation material for	E	J	K	N	T	U	R/S Pt13Rh/ Pt	C W5Re/ W26Re	B Pt6Rh/ Pt30Rh
Material Positive	NiCr	Fe	NiCr	NiCrSi	Cu	Cu ¹⁾	Cu	CPX	Cu ¹⁾
Material Negative	CuNi	CuNi	NiAl	NiSi	CuNi	Cu ¹⁾	Alloy #11	CNX	Cu ¹⁾



Panels

Panel Standard Insert Three Pin Lugged



Application

Panel insert for thermocouple and RTD circuits.
Third connection for ground or continuous shield or for three wire RTD's. Can be mounted in a single circuit version or in rows in customer panel. Mounting by means of two M3 screws.

Construction

- Glass filled thermoplastic body with original thermocouple material pins and springloaded inserts.
- Polarized pins ensure proper connection.
- Central cover screw design for quick wiring.
- Molded barriers prevent short circuit.
- Captive cover screw for easy assembly.

Wire size

- Accepts wires up to 1,6 mm.
- Maximum cable diameter 8,0 mm.

Temperature rating

- 220 °C Max.

Color Code

- Available in all color code standards. Incl. NFE, BS, JIS, etc.

Accessories

Most accessories for the standard connectors can be fitted. See separate specification sheet.

Ordering Code : PSITL-xx

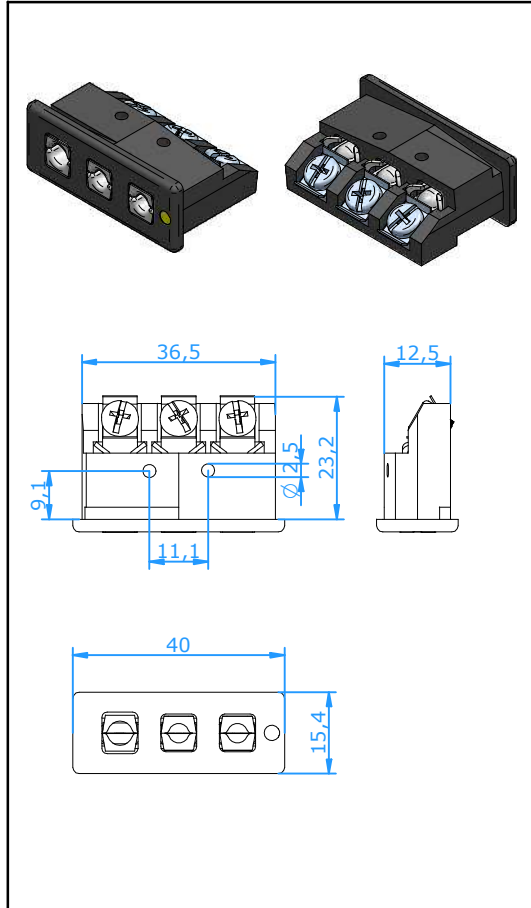
For last two digits 'xx' see table below

Calibration Code	E	J	K	N	T	U	R/S	C	B
Compensation material for							Pt13Rh/	W5Re/	Pt6Rh/
Material Positive							Pt	W26Re	Pt30Rh
Material Negative	NiCr CuNi	Fe CuNi	NiCr NiAl	NiCrSi NiSi	Cu CuNi	Cu Cu	Cu Alloy #11	CPX CNX	Cu Cu
IEC Color Code									
Color Body	Violet	Black	Green	Pink	Brown	White	Orange	Red	Grey
Code	EI	JI	KI	NI	TI	UI	RI	C	BI
ANSI Color Code									
Color Body	Violet	Black	Yellow	Orange	Blue	White	Green	Red	Grey
Code	EI	JI	KA	NA	TA	UI	RA	C	BI
DIN Color Code									
Color Body		Blue	Green		Brown		White		Grey
Code		JD	KI		TI		RD		BI



Panels

Panel Standard Insert Three Pin High Temperature



Application

Panel insert for thermocouple and RTD circuits. Specially designed to be used together with **Hamitherm** high temperature stainless steel panels.

Construction

- Thermosetting body with original thermocouple material pins and springloaded inserts.
- Polarized pins.
- Molded barriers prevent short circuit.
- Polarity indication next to connection screws.

Wire size

- Accepts wires up to 1,6 mm.

Temperature rating

- 350 °C Max.

Color Code

- Body color black, calibration indicated by colored dot.

Accessories

- Should be used with Hamitherm stainless steel panels.

Ordering Code : **PSITH-xx**

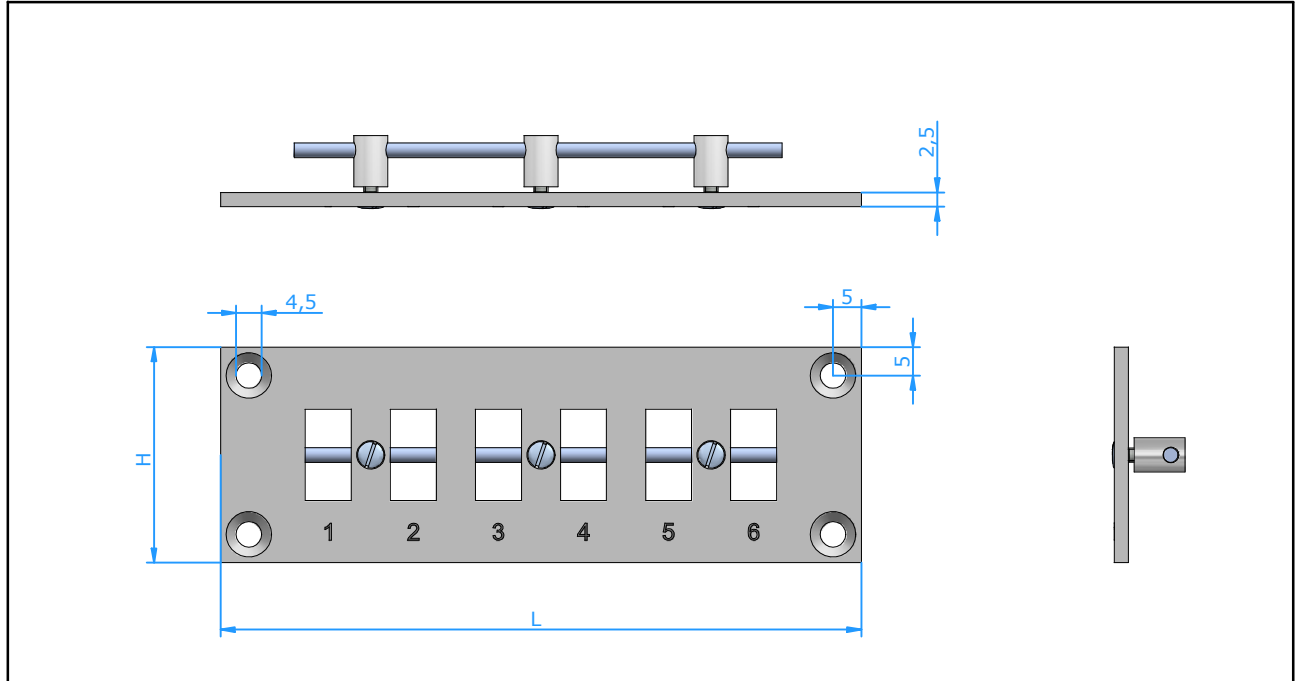
For last two digits 'xx' see table below

Calibration Code	E	J	K	N	T	U	R/S	C	B
Compensation material for							Pt13Rh/ Pt	W5Re/ W26Re	Pt6Rh/ Pt30Rh
Material Positive	NiCr	Fe	NiCr	NiCrSi	Cu	Cu	Cu	CPX	Cu
Material Negative	CuNi	CuNi	NiAl	NiSi	CuNi	Cu	Alloy #11	CNX	Cu
IEC Color Code									
Color Dot	Violet	Black	Green	Pink	Brown	White	Orange	Red	Grey
Code	EI	JI	KI	NI	TI	UI	RI	C	BI
ANSI Color Code									
Color Dot	Violet	Black	Yellow	Orange	Blue	White	Green	Red	Grey
Code	EI	JI	KA	NA	TA	UI	RA	C	BI
DIN Color Code									
Color Dot		Blue	Green		Brown		White		Grey
Code		JD	KI		TI		RD		BI



Panels

Panel Set Miniature Horizontal



Application

Together with the miniature panel insert model PMI, the panel set form a complete panel assembly for mounting in control rooms, test stands, laboratory applications, pilot plants, etc.

- Angled screws on the insert will allow wiring of the panel after mounting. This prevents the necessity of removing the complete panel or one insert in order to change the wiring on one insert.
- See table below for available circuit versions. Other versions available on request.

Construction

- Aluminium front panel anodized for full corrosion protection.
- All circuits identified thru scratchproof numbering.
- Stainless steel bar and brass nickel plated screws for professional appearance.
- Mounting construction will make it impossible to dislodge insert from panel.

Wire size

- Accepts wires up to 2,0 mm.

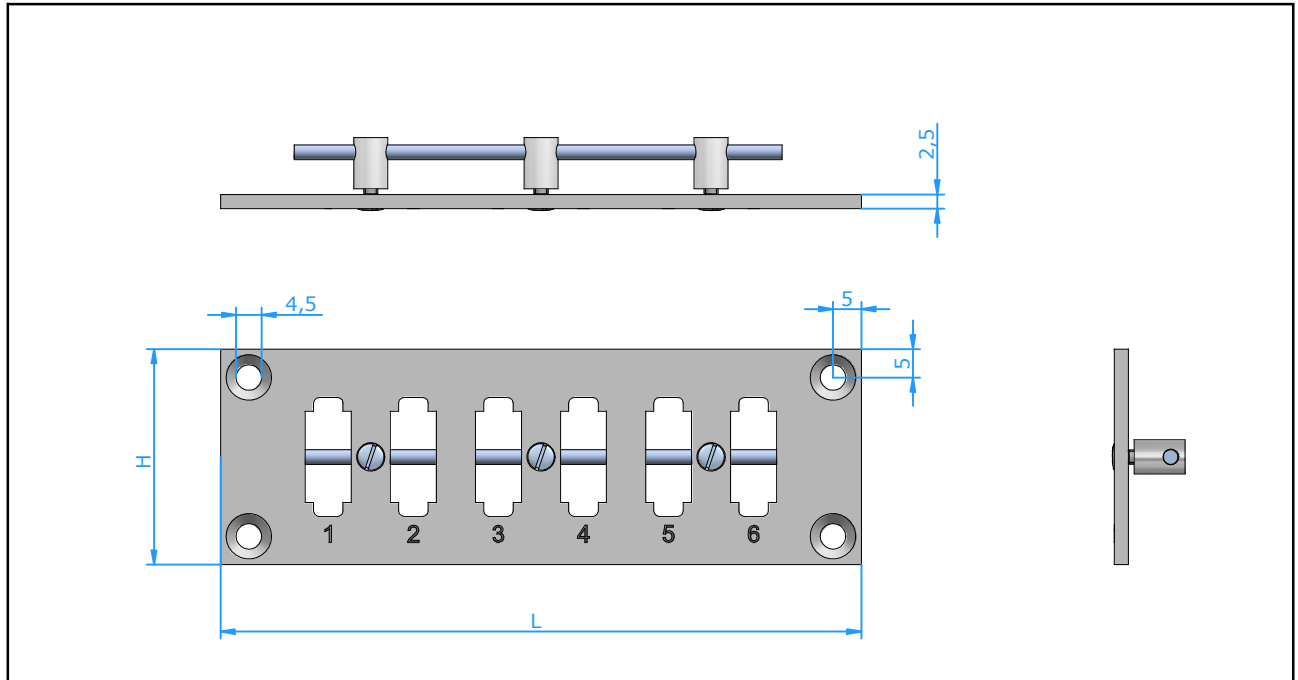
Order Ordering Code

Ordering Code	Circuits	Rows	Panel dimension (L x H in mm)	Dimension panel cut-out (in mm)
20.052-1	1	1	38 x 38	23 Ø
20.052-9	2	1	53 x 38	30 x 22
20.052-5	3	1	76 x 38	53 x 22
20.052-8	4	1	83 x 38	60 x 22
20.052-2	6	1	113 x 38	90 x 22
20.052-7	8	1	143 x 38	120 x 22
20.052-10	10	1	173 x 38	150 x 22
20.052-3	12	1	203 x 38	180 x 22
20.052-6	18	1	293 x 38	270 x 22
20.052-11	18	2	158 x 76	135 x 60
20.052-4	24	2	203 x 76	180 x 60



Panels

Panel Set Miniature Locking Horizontal



Application

Together with the miniature locking panel insert model PMLI, the panel set form a complete panel assembly for mounting in control rooms, test stands, laboratory applications, pilot plants, etc. When used together with CMLP the locking feature will prevent accidental disconnection due to vibration etc.

- Angled screws on the insert will allow wiring of the panel after mounting. This prevents the necessity of removing the complete panel or one insert in order to change the wiring on one insert.
- Available in 1, 6, 12 and 24 circuit version. Other versions available on request.

Construction

- Aluminium front panel anodized for full corrosion protection.
- All circuits indentified thru scratchproof numbering.
- Stainless steel bar and brass nickel plated screws for professional appearance.
- Mounting construction will make it impossible to dislodge insert from panel.

Wire size

- Accepts wires up to 2,0 mm.

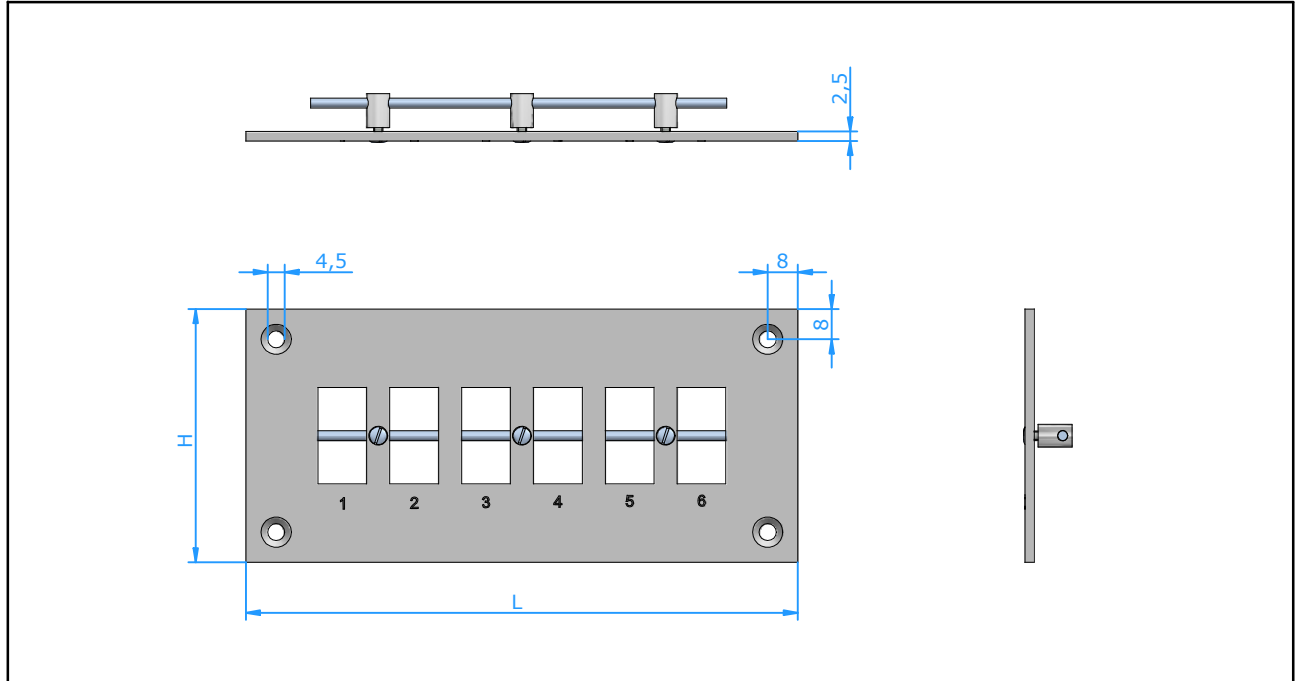
Ordering Code

Ordering Code	Circuits	Rows	Panel dimension (L x H in mm)	Dimension panel cut-out (in mm)
20.400-1	1	1	38 x 38	23 Ø
20.400-2	2	1	53 x 38	30 x 22
20.400-3	3	1	76 x 38	60 x 22
20.400-4	4	1	83 x 38	60 x 22
20.400-6	6	1	113 x 38	90 x 22
20.400-8	8	1	143 x 38	120 x 22
20.400-12	12	1	203 x 38	180 x 22
20.400-18	18	1	293 x 38	270 x 22
20.400-24	24	2	203 x 76	180 x 60



Panels

Panel Set Standard Horizontal



Application

Together with the standard panel insert model PSI, the panel set form a complete panel assembly for mounting in control rooms, test stands, laboratory applications, pilot plants, etc.

Construction

- Aluminium front panel anodized for full corrosion protection.
- All circuits indentified thru scratchproof numbering.
- Stainless steel bar and brass nickel plated screws for professional appearance.
- Mounting construction will make it impossible to dislodge insert from panel.

- Angled screws on the insert will allow wiring of the panel after mounting. This prevents the necessity of removing the complete panel or one insert in order to change the wiring on one insert.
- Available in 1, 6, 12 and 24 circuit version. Other versions available on request.

Wire size

- Accepts wires up to 3 mm.

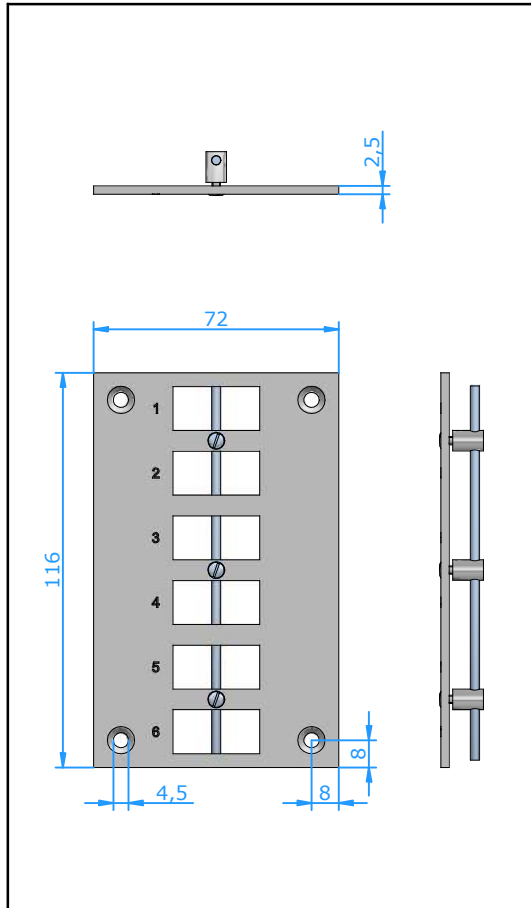
Ordering Code

Ordering Code	Circuits	Rows	Panel dimension (L x H in mm)	Dimension panel cut-out (in mm)
20.059-1	1	1	38 x 38	31 Ø
20.059-8	2	1	70 x 67	40 x 40
20.059-9	3	1	89 x 67	49 x 40
20.059-7	4	1	108 x 67	78 x 40
20.059-2	6	1	146 x 67	116 x 40
20.059-5	8	1	184 x 67	154 x 40
20.059-10	10	1	222 x 67	192 x 40
20.059-3	12	1	260 x 67	230 x 40
20.059-6	18	1	374 x 67	344 x 40
20.059-4	24	2	260 x 115	230 x 88



Panels

Panel Set Standard Vertical



Application

Together with the standard panel insert model PSI, the panel set form a complete panel assembly for mounting in control rooms, test stands, laboratory applications, pilot plants, etc.

Construction

- Aluminium front panel anodized for full corrosion protection.
- All circuits identified thru scratchproof numbering.
- Stainless steel bar and brass nickel plated screws for professional appearance.
- Mounting construction will make it impossible to dislodge insert from panel.
- Angled screws on the insert will allow wiring of the panel after mounting. This prevents the necessity of removing the complete panel or one insert in order to change the wiring on one insert.
- Available in 1 upto 6 circuits.

Wire size

- Accepts wires up to 3 mm.

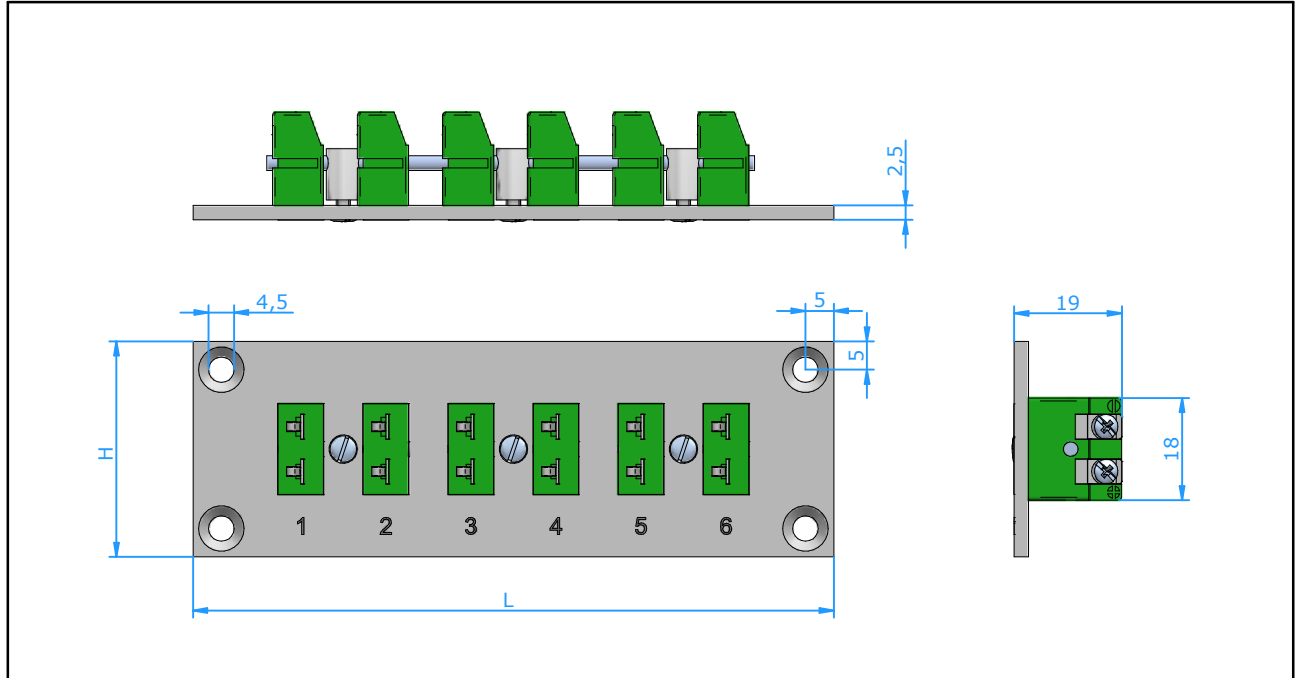
Ordering Code

Ordering Code	Circuits	Panel dimension (L x H in mm)	Dimension panel cut-out (in mm)
20.060-1	1	72 x 116	30 x 40
20.060-2	2	72 x 116	50 x 40
20.060-3	3	72 x 116	62 x 40
20.060-4	4	72 x 116	80 x 40
20.060-5	5	72 x 116	94 x 40
20.060-6	6	72 x 116	112 x 40



Panels

Panel Assembly Miniature Horizontal



Application

Panel assembly for thermocouple and RTD circuits for mounting in control rooms, test stands, laboratory applications, pilot plants, etc.

Construction

This panel consists of the panel set 20.052-x fitted with the miniature panel inserts PMI-... For further details see separate specification sheets.

Wire size

- Accepts wires up to 0,6 mm.

Temperature rating

- 220 °C Maximum

Ordering Code PAM-x-yz

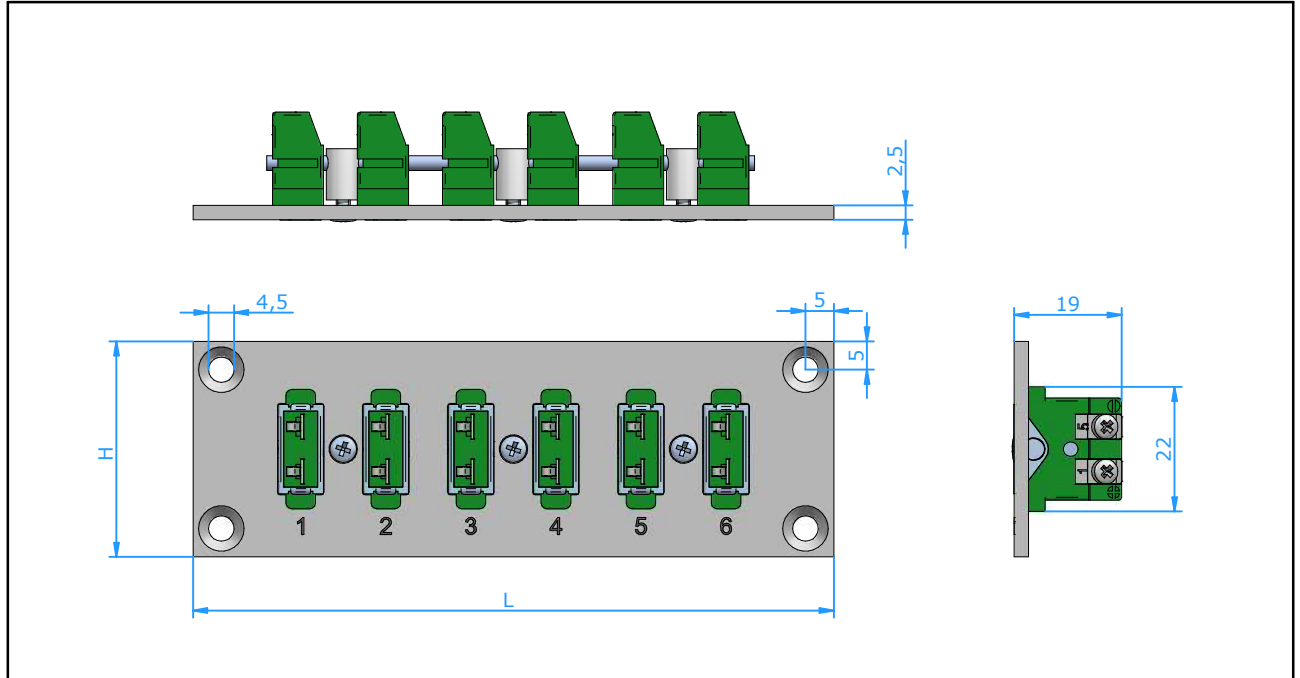
x = number of circuits 1, 2, 3, 4, 5, 6, 8, 12, 18, 24
 y = calibration E, J, K, N, T, U, R/S, C, B
 z = color code standard I = IEC, A = ANSI, D = DIN, J = JIS

Circuits	Rows	Panel dimension (L x H in mm)	Dimension panel cut-out (in mm)
1	1	38 x 38	23 Ø
2	1	53 x 38	30 x 22
3	1	76 x 38	53 x 22
4	1	83 x 38	60 x 22
5	1	98 x 38	75 x 22
6	1	113 x 38	90 x 22
8	1	143 x 38	120 x 22
10	1	173 x 38	150 x 22
12	1	203 x 38	180 x 22
18	1	293 x 38	270 x 22
18	2	158 x 76	135 x 60
24	2	203 x 76	180 x 60



Panels

Miniature Locking Panel Horizontal



Application

Panel assembly for thermocouple and RTD circuits for mounting in control rooms, test stands, laboratory applications, pilot plants, etc. When used together with CMLP the locking feature will prevent accidental disconnection due to vibration etc.

Wire size

- Accepts wires up to 0,6 mm.

Temperature rating

- 220 °C Maximum

Construction

This panel consists of the panel set 20.400-x fitted with the miniature panel inserts PMLI-... For further details see separate specification sheets.

Ordering Code PAML-x-yz

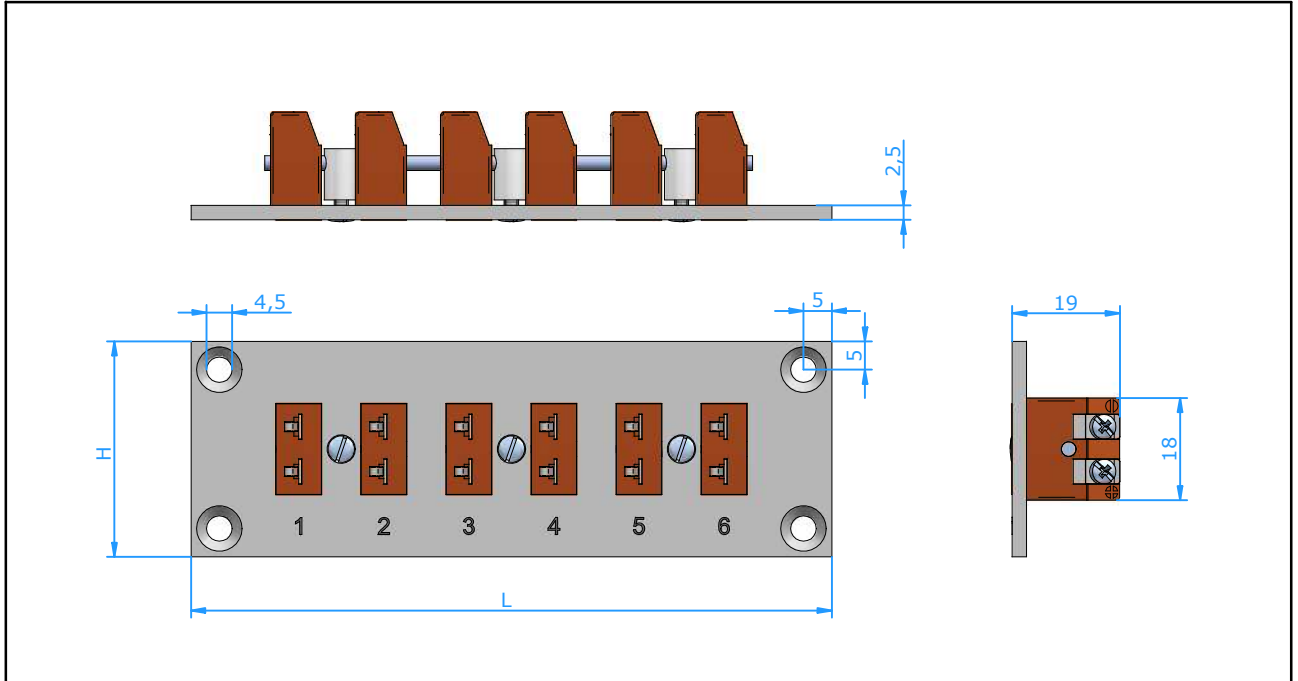
x = number of circuits 1, 2, 3, 4, 5, 6, 8, 12, 18, 24
 y = calibration E, J, K, N, T, U, R/S, C, B
 z = color code standard I = IEC, A = ANSI, D = DIN, J = JIS

Circuits	Rows	Panel dimension (L x H in mm)	Dimension panel cut-out (in mm)
1	1	38 x 38	23 Ø
2	1	53 x 38	30 x 22
3	1	76 x 38	53 x 22
4	1	83 x 38	60 x 22
5	1	98 x 38	75 x 22
6	1	113 x 38	90 x 22
8	1	143 x 38	120 x 22
12	1	203 x 38	180 x 22
18	1	293 x 38	270 x 22
24	2	203 x 76	180 x 60



Panels

Panel Assembly Miniature Horizontal High Temp



Application

Panel assembly for thermocouple and RTD circuits for mounting in control rooms, test stands, laboratory applications, pilot plants, etc.

Wire size

- Accepts wires up to 0,6 mm.

Construction

This panel consists of the panel set 20.052-x fitted with the miniature panel inserts high temp PMIH-...
For further details see separate specification sheets.

Temperature rating

- 350 °C Maximum

Ordering Code PAMHAL-x-y

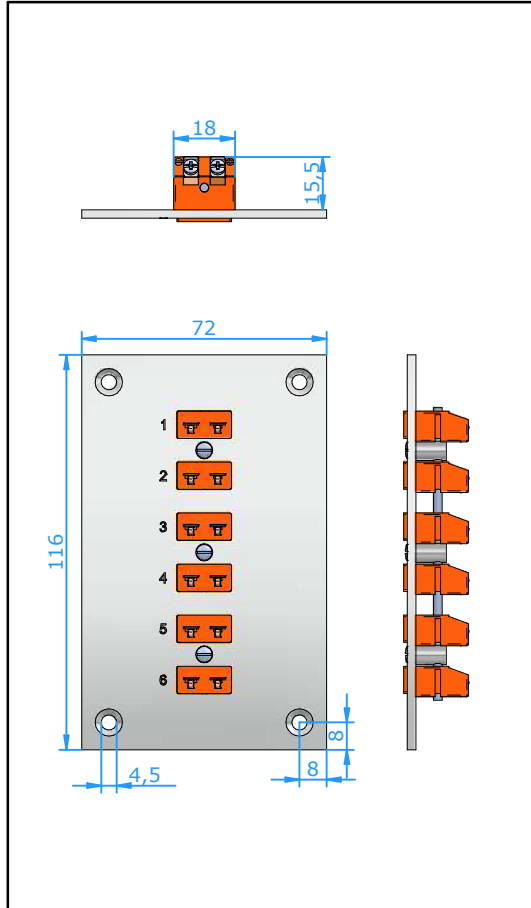
x = number of circuits 1, 2, 3, 4, 5, 6, 8, 12, 18, 24
 y = calibration E, J, K, N, T, U, R/S, C, B
 Calibration printed on panel insert body

Circuits	Rows	Panel dimension (L x H in mm)	Dimension panel cut-out (in mm)
1	1	38 x 38	23 Ø
2	1	53 x 38	30 x 22
3	1	76 x 38	53 x 22
4	1	83 x 38	60 x 22
5	1	98 x 38	75 x 22
6	1	113 x 38	90 x 22
8	1	143 x 38	120 x 22
10	1	173 x 38	150 x 22
12	1	203 x 38	180 x 22
18	1	293 x 38	270 x 22
18	2	158 x 76	135 x 60
24	2	203 x 76	180 x 60



Panels

Panel Assembly Miniature Vertical



Application

Panel assembly for thermocouple and RTD circuits for mounting in control rooms, test stands, laboratory applications, pilot plants, etc.

Construction

This panel consists of the panel set 20.080-x fitted with the standard panel inserts PMI-... For further details see separate specification sheets.

Wire size

- Accepts wires up to 1,6 mm.

Temperature rating

- 220 °C Maximum

Ordering Code PAMV-x-yz

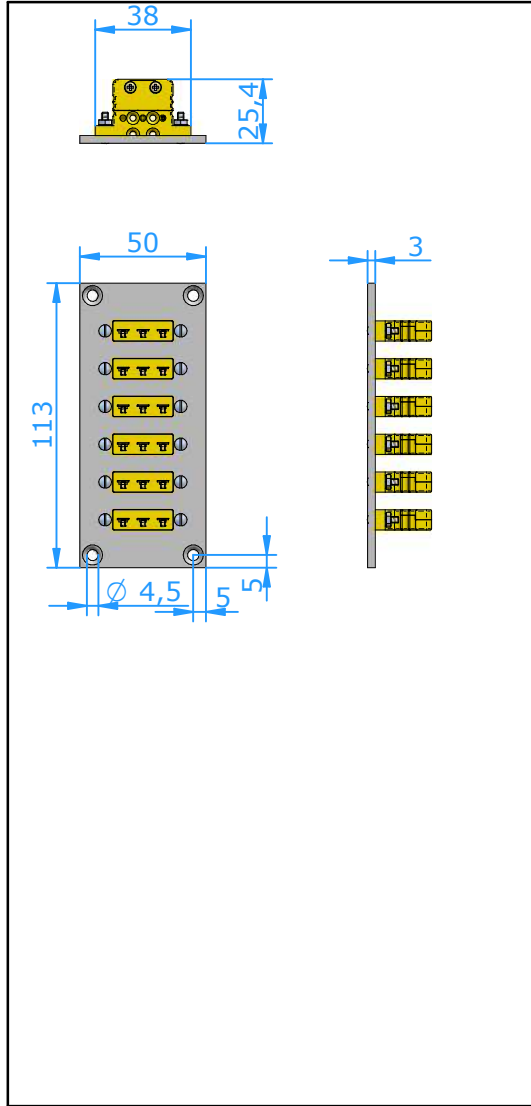
x =	number of circuits	1, 2, 3, 4, 5, 6
y =	calibration	E, J, K, N, T, U, R/S, C, B
z =	color code standard	I = IEC, A = ANSI, D = DIN, J = JIS

Circuits	Panel dimension (L x H in mm)	Dimension panel cut-out (in mm)
1	72 x 116	23 x 22
2	72 x 116	30 x 22
3	72 x 116	53 x 22
4	72 x 116	60 x 22
5	72 x 116	83 x 22
6	72 x 116	90 x 22



Panels

Panel Assembly Miniature Three Pin Vertical



Application

Panel assembly for thermocouple and RTD circuits for mounting in control rooms, test stands, laboratory applications, pilot plants, etc.

Construction

This panel consists of the panel set 20.426 fitted with six standard panel inserts PMITL-... For further details see separate specification sheets.

Wire size

- Accepts wires up to 1,6 mm.

Temperature rating

- 220 °C Maximum

Ordering Code

PAMVT-6-yz

y = calibration
z = color code standard

E, J, K, N, T, U, R/S, C, B
I = IEC, A = ANSI, D = DIN, J = JIS

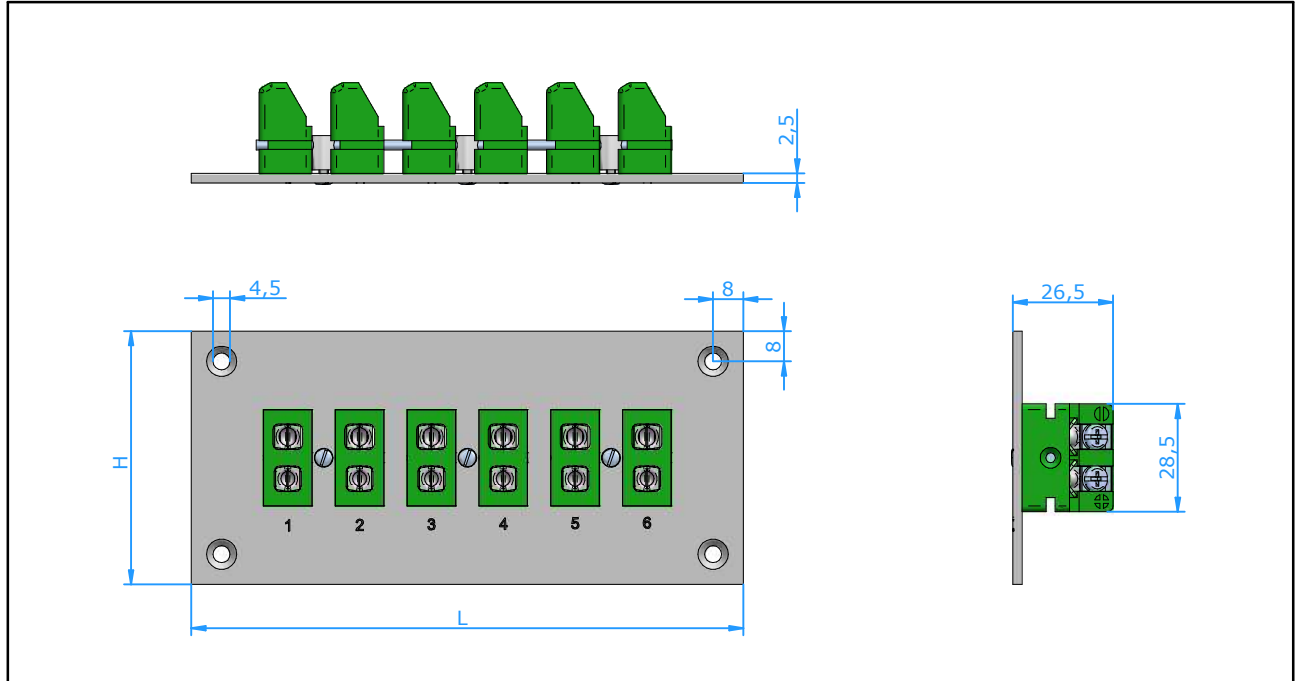
Circuits	Rows	Panel dimension (L x H in mm)	Dimension panel cut-out (in mm)
6	1	50 x 113	85 x 40





Panels

Panel Assembly Standard Horizontal



Application

Panel assembly for thermocouple and RTD circuits for mounting in control rooms, test stands, laboratory applications, pilot plants, etc.

Wire size

- Accepts wires upto 1,6 mm.

Temperature rating

- 220 °C Maximum

Construction

This panel consists of the panel set 20.059-x fitted with the standard panel inserts PSI-... For further details see separate specification sheets.

Ordering Code PAS-x-yz

x = number of circuits
 y = calibration
 z = color code standard

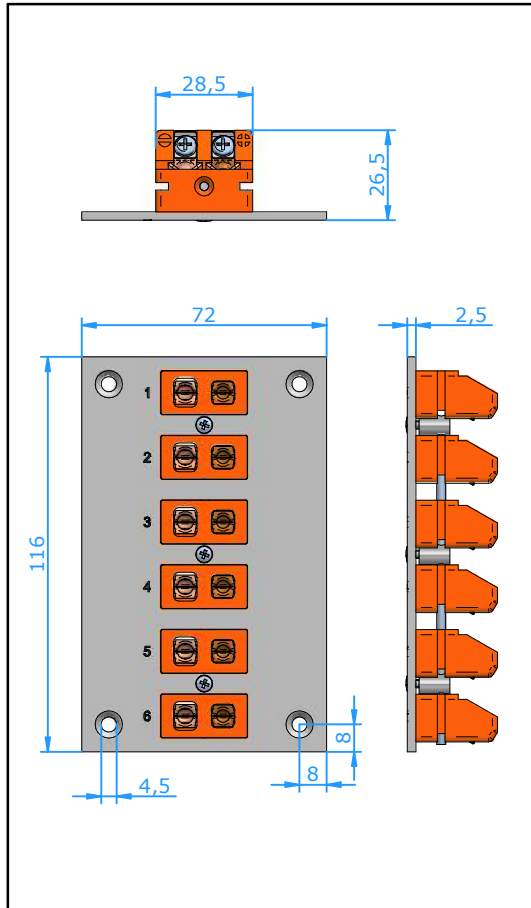
1, 2, 3, 4, 5, 6, 8, 12, 18, 24
 E, J, K, N, T, U, R/S, C, B
 I = IEC, A = ANSI, D = DIN, J = JIS

Circuits	Rows	Panel dimension (L x H in mm)	Dimension panel cut-out (in mm)
1	1	38 x 38	31 Ø
2	1	70 x 67	40 x 40
3	1	89 x 67	49 x 40
4	1	108 x 67	78 x 40
5	1	127 x 67	97 x 40
6	1	146 x 67	116 x 40
8	1	184 x 67	154 x 40
10	1	222 x 67	192 x 40
12	1	260 x 67	230 x 40
18	1	374 x 67	344 x 40
24	2	260 x 115	230 x 88



Panels

Panel Assembly Standard Vertical



Application

Panel assembly for thermocouple and RTD circuits for mounting in control rooms, test stands, laboratory applications, pilot plants, etc.

Construction

This panel consists of the panel set 20.060-x fitted with the standard panel inserts PSI-... For further details see separate specification sheets.

Wire size

- Accepts wires up to 1,6 mm.

Temperature rating

- 220 °C Maximum

Ordering Code PASV-x-yz

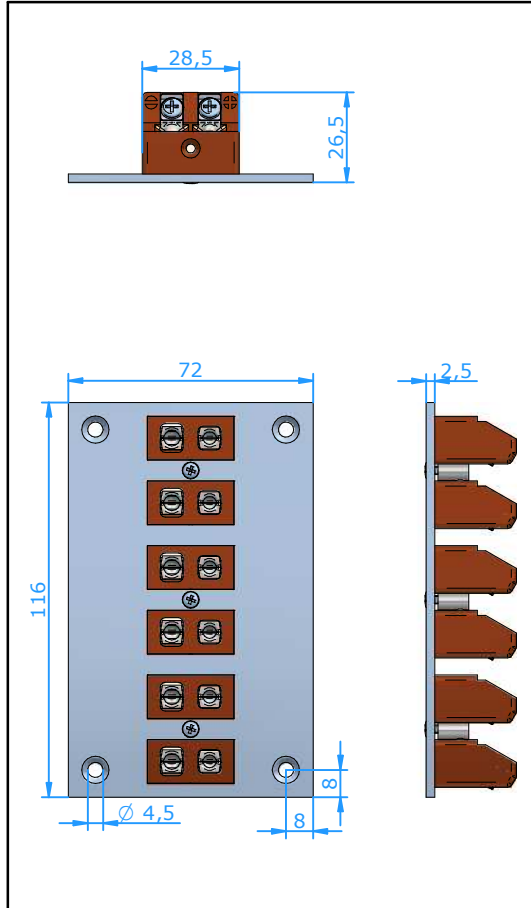
x =	number of circuits	1, 2, 3, 4, 5, 6
y =	calibration	E, J, K, N, T, U, R/S, C, B
z =	color code standard	I = IEC, A = ANSI, D = DIN, J = JIS

Circuits	Panel dimension (L x H in mm)	Dimension panel cut-out (in mm)
1	72 x 116	30 x 40
2	72 x 116	50 x 40
3	72 x 116	62 x 40
4	72 x 116	80 x 40
5	72 x 116	94 x 40
6	72 x 116	112 x 40



Panels

Panel Assembly Standard High Temperature



Application

Panel assembly for thermocouple and RTD circuits for mounting in control rooms, test stands, laboratory applications, pilot plants, etc.

Construction

Stainless Steel front panel for full corrosion protection fitted with the standard high temperature panel inserts PSIH-XX. For further details see separate specification sheets.

Wire size

- Accepts wires up to 1,6 mm.

Temperature rating

- 350 °C Maximum

Ordering Code PASVHSS-x-y x = number of circuits 1, 2, 3, 4, 5, 6
y = calibration E, J, K, N, T, U, R/S, C, B

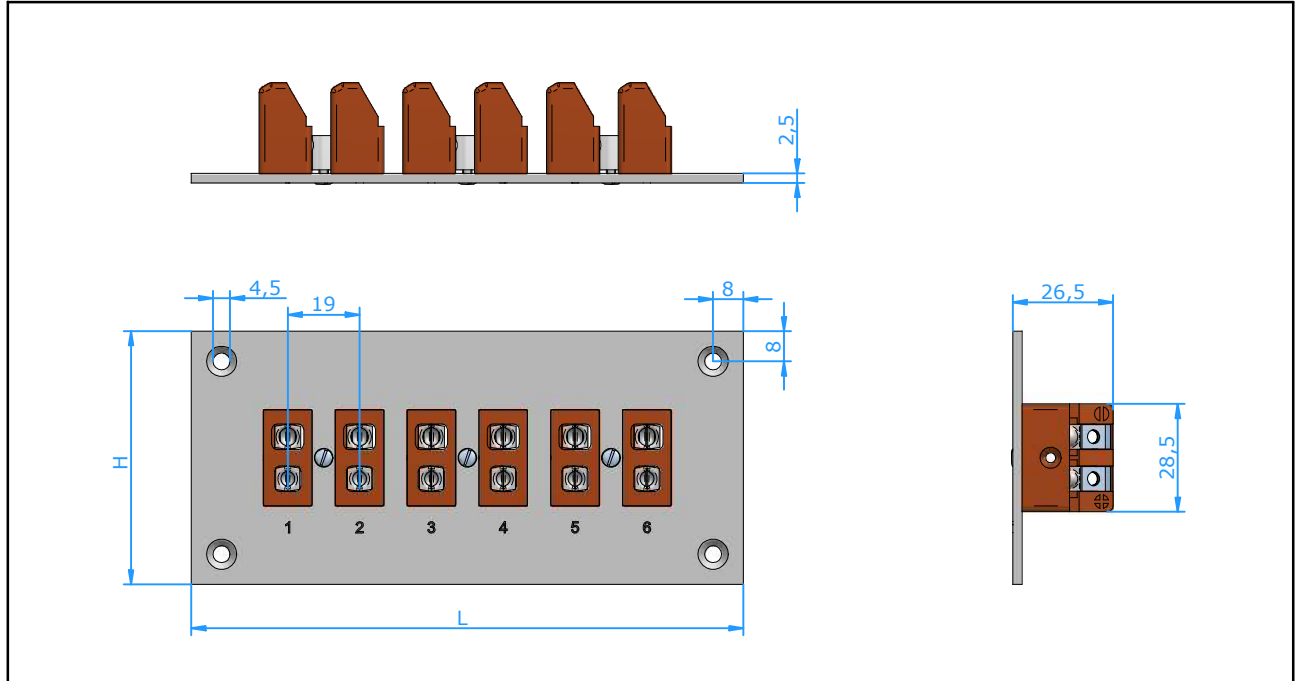
Calibration indicated by printing on brown body.

Circuits	Panel dimension (L x H in mm)	Dimension panel cut-out (in mm)
1	72 x 116	30 x 40
2	72 x 116	50 x 40
3	72 x 116	62 x 40
4	72 x 116	80 x 40
5	72 x 116	94 x 40
6	72 x 116	112 x 40



Panels

Panel Assembly Standard Horizontal High Temp



Application

Panel assembly for thermocouple and RTD circuits for mounting in control rooms, test stands, laboratory applications, pilot plants, etc.

Wire size

- Accepts wires up to 1,6 mm.

Construction

This panel consists of the panel set 20.059-x fitted with the standard panel inserts high tempo PSIH-... For further details see separate specification sheets.

Temperature rating

- 350 °C Maximum

Ordering Code PASHAL-x-y

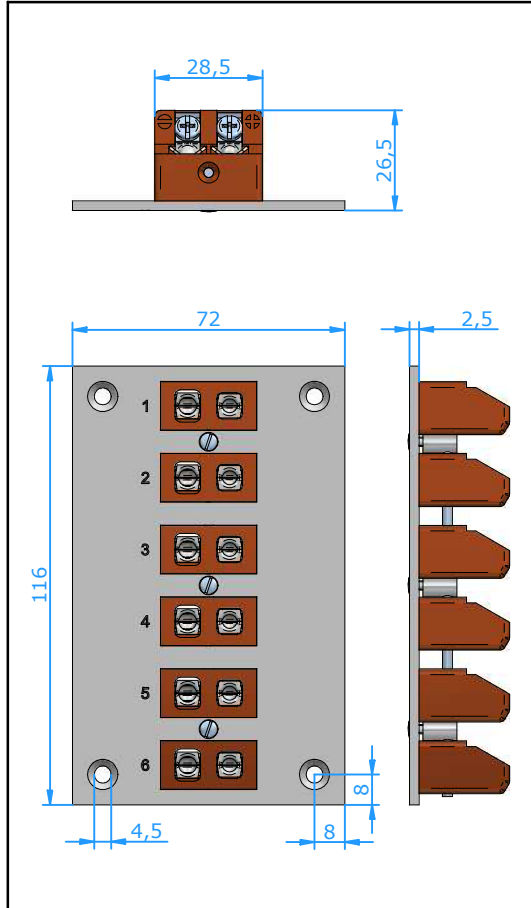
x = number of circuits 1, 2, 3, 4, 5, 6, 8, 12, 18, 24
 y = calibration E, J, K, N, T, U, R/S, C, B
 Calibration printed on panel insert body

Circuits	Rows	Panel dimension (L x H in mm)	Dimension panel cut-out (in mm)
1	1	38 x 38	31 Ø
2	1	70 x 67	40 x 40
3	1	89 x 67	49 x 40
4	1	108 x 67	78 x 40
5	1	127 x 67	97 x 40
6	1	146 x 67	116 x 40
8	1	184 x 67	154 x 40
10	1	222 x 67	192 x 40
12	1	260 x 67	230 x 40
18	1	374 x 67	344 x 40
24	2	260 x 115	230 x 88



Panels

Panel Assembly Standard High Temperature



Application

Panel assembly for thermocouple and RTD circuits for mounting in control rooms, test stands, laboratory applications, pilot plants, etc.

Construction

Aluminum front panel for full corrosion protection fitted with the standard high temperature panel inserts PSIH-... For further details see separate specification sheets.

Wire size

- Accepts wires up to 1,6 mm.

Temperature rating

- 350 °C Maximum

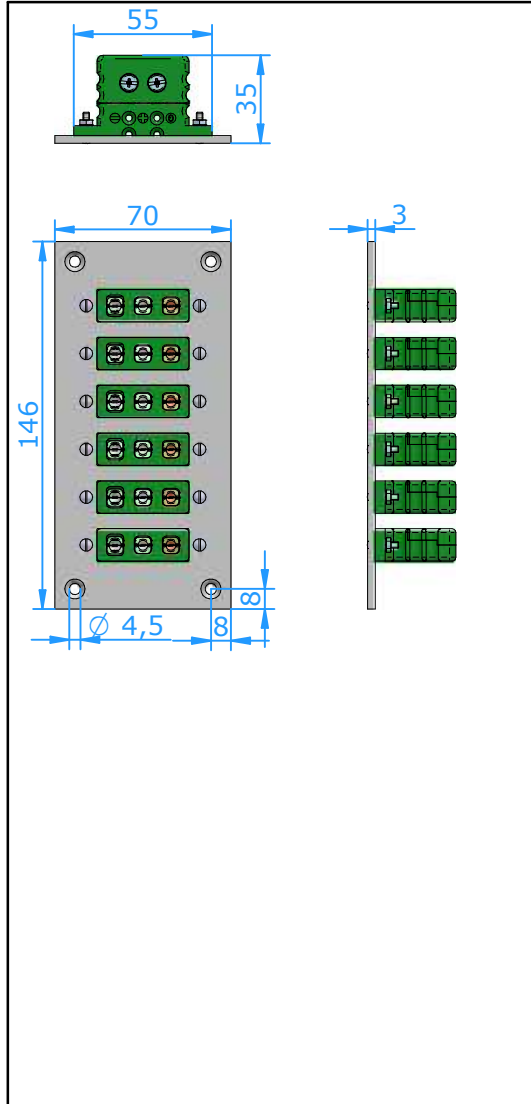
Ordering Code PASVHAL-x-y x = number of circuits 1, 2, 3, 4, 5, 6
 y = calibration E, J, K, N, T, U, R/S, C, B
 Calibration printed on panel insert body

Circuits	Panel dimension (L x H in mm)	Dimension panel cut-out (in mm)
1	72 x 116	30 x 40
2	72 x 116	50 x 40
3	72 x 116	62 x 40
4	72 x 116	80 x 40
5	72 x 116	94 x 40
6	72 x 116	112 x 40



Panels

Panel Assembly Standard Three Pin Vertical



Application

Panel assembly for thermocouple and RTD circuits for mounting in control rooms, test stands, laboratory applications, pilot plants, etc.

Construction

This panel consists of the panel set 20.425 fitted with six standard panel inserts PSITL-... For further details see separate specification sheets.

Wire size

- Accepts wires up to 1,6 mm.

Temperature rating

- 220 °C Maximum

Ordering Code

PASVT-6-yz

y = calibration
z = color code standard

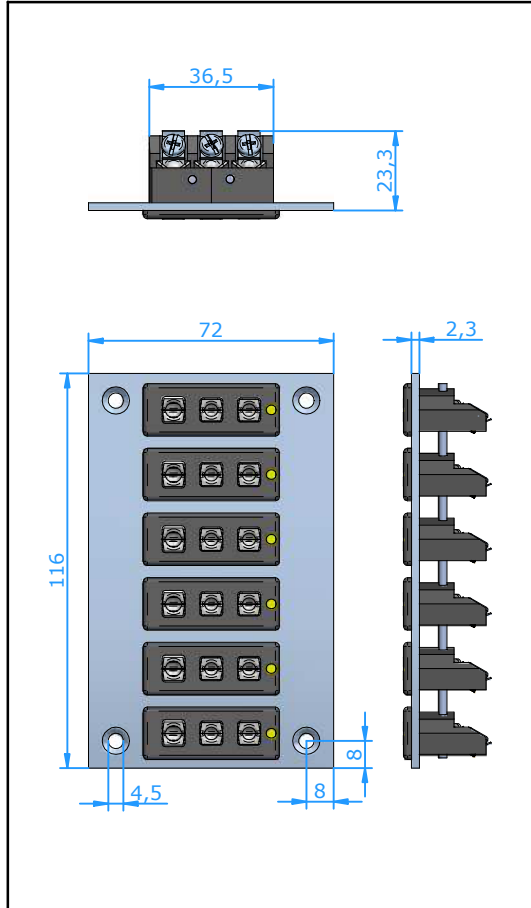
E, J, K, N, T, U, R/S, C, B
I = IEC, A = ANSI, D = DIN, J = JIS

Circuits	Rows	Panel dimension (L x H in mm)	Dimension panel cut-out (in mm)
6	1	70 x 146	110 x 60



Panels

Panel Assembly Standard High Temperature Three Pin



Application

Panel assembly for thermocouple and RTD circuits for mounting in control rooms, test stands, laboratory applications, pilot plants, etc.

Construction

Stainless Steel front panel for full corrosion protection fitted with the standard high temperature panel inserts PSIH-... For further details see separate specification sheets.

Wire size

- Accepts wires up to 3,0 mm.

Temperature rating

- 350 °C Maximum

Ordering Code PASVHT-x-yz

x = number of circuits
y = calibration
z = color code standard

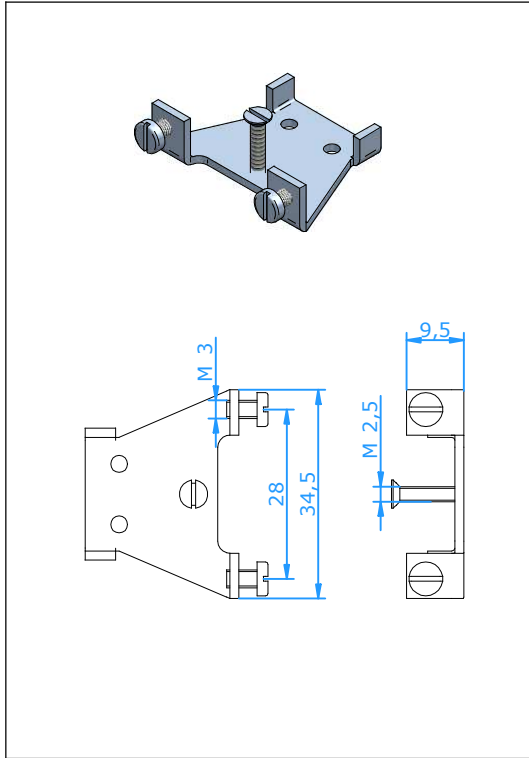
1, 2, 3, 4, 5, 6
E, J, K, N, T, U, R/S, C, B
I = IEC, A = ANSI, D = DIN, J = JIS
Calibration indicated by colored dot on black body.

Circuits	Panel dimension (L x H in mm)	Dimension panel cut-out (in mm)
1	72 x 116	30 x 45
2	72 x 116	50 x 45
3	72 x 116	62 x 45
4	72 x 116	80 x 45
5	72 x 116	94 x 45
6	72 x 116	112 x 45



Accessories Panels

Miniature Connector Panel Bracket



Application:

Mounting a mini connector to use as a high temperature panel insert.

Construction:

RVS bracket, screws included.

Connector to be ordered separately.

Temperature rating:

650 °C Max together with ceramic connector

350 °C Max together with the high temperature connector

Part Nr:

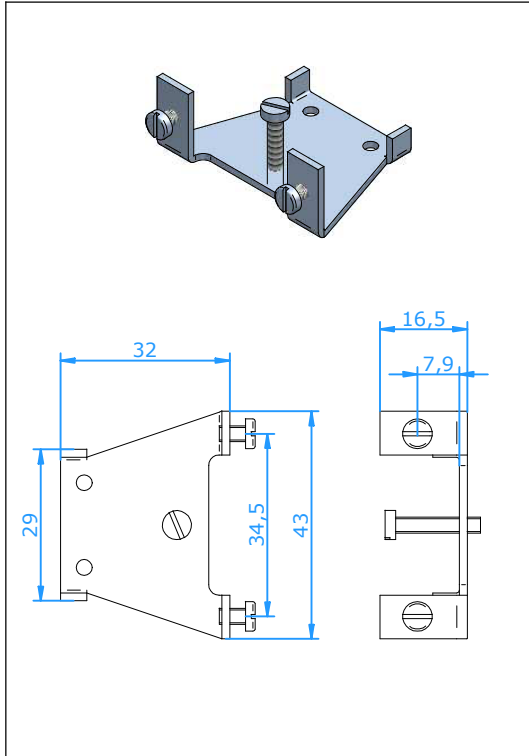
20.210 Bracket for ceramic connector

20.307 Bracket for high temperature connector



Accessories Panels

Standard Connector Panel Bracket



Application

Mounting a standard connector to use as a high temperature panel insert.

Construction

- RVS Bracket, screws included.

Temperature rating

650 °C Max. together with ceramic connector
 350 °C Max. together with high temperature connector
 200 °C Max. together with standard connector

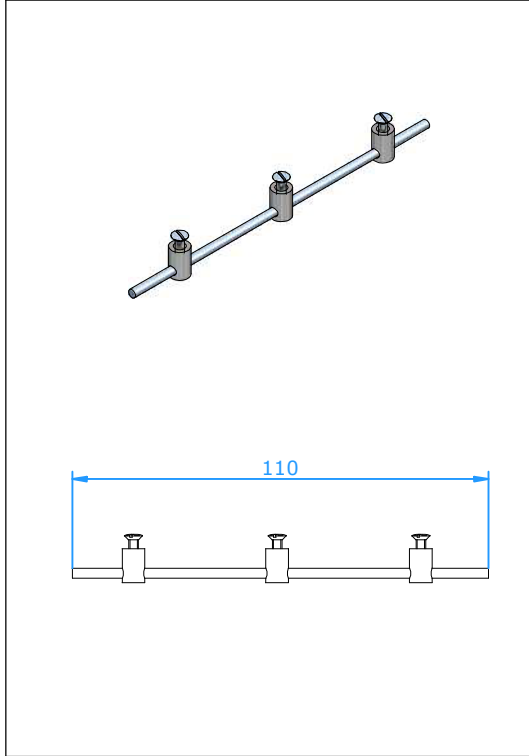
Part Nr.

20.209 Bracket for ceramic connector
 20.306 Bracket for standard/high temp connector



Accessories Panel

Mounting Kit

**Application**

Mounting-set for fixing a maximum of six standard or miniature panel inserts to a customised panel.

Construction

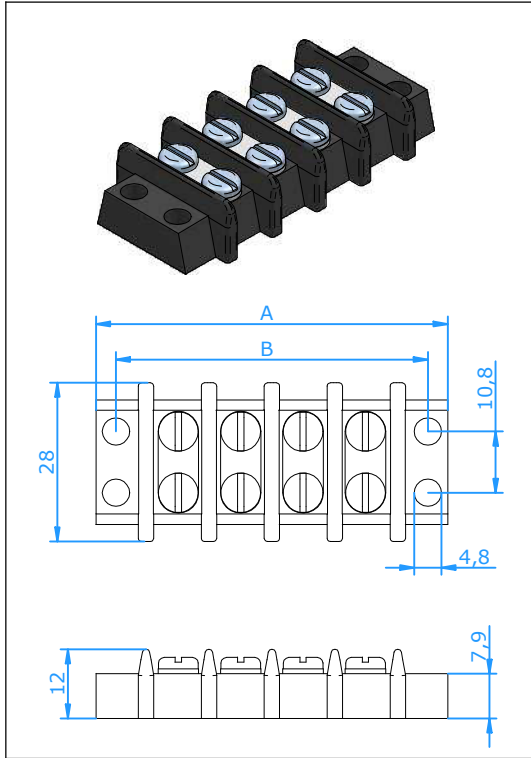
- 110 mm long rod with screws and panel blocks.

Part Nr. 20.248



Terminals

Barrier Terminal Block



Application

Terminal blocks designed for use in terminal boxes and behind panels for connection of thermocouple and RTD circuits.

Construction

- Glass filled nylon body
- Barrier between each terminal prevents accidental short circuit
- Captive nuts for easy wiring.
- Available in large number of circuits.
- Can be used with the terminal lugs series 20.131-x and 20.132-x

Wire size

- Accepts wires upto 3,0 mm.

Temperature rating

- 200 °C Max.

Calibration Identification:

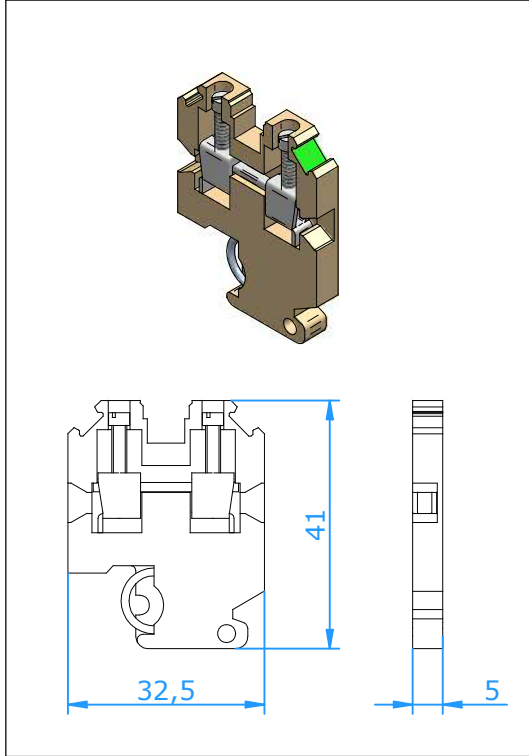
- Body color black. Terminal strips stamped with material identification.

Calibration Code	J	K	T	E	R/S	U	N		
Contact Material Positive	Fe	NiCr	Cu	NiCr	Cu	Cu	NiCrSi		
Contact Material Negative	CuNi	NiAl	CuNi	CuNi	Alloy #11	Cu	NiSi		
Circuits	Dimensions								
	A	B							
1	41	33	BTB-1-J	BTB-1-K	BTB-1-T	BTB-1-E	BTB-1-R	BTB-1-U	BTB-1-N
2	63	55	BTB-2-J	BTB-2-K	BTB-2-T	BTB-2-E	BTB-2-R	BTB-2-U	BTB-2-N
3	86	78	BTB-3-J	BTB-3-K	BTB-3-T	BTB-3-E	BTB-3-R	BTB-3-U	BTB-3-N
4	108	100	BTB-4-J	BTB-4-K	BTB-4-T	BTB-4-E	BTB-4-R	BTB-4-U	BTB-4-N
5	130	122	BTB-5-J	BTB-5-K	BTB-5-T	BTB-5-E	BTB-5-R	BTB-5-U	BTB-5-N
6	152	144	BTB-6-J	BTB-6-K	BTB-6-T	BTB-6-E	BTB-6-R	BTB-6-U	BTB-6-N
8	197	189	BTB-8-J	BTB-8-K	BTB-8-T	BTB-8-E	BTB-8-R	BTB-8-U	BTB-8-N
10	241	233	BTB-10-J	BTB-10-K	BTB-10-T	BTB-10-E	BTB-10-R	BTB-10-U	BTB-10-N



Terminals

Rail Terminal Block



Application

Terminal blocks in the proven rail mounted design especially suited for those applications where a lot of terminals have to be fitted in a limited space.

Construction

- Body in durable thermoplastic material
- Design will prevent accidental short circuit.
- Terminal width of 5 mm allows maximum number of connections in a given space.
- Captive screws for easy assembly
- Can be ordered together with a mounting kit containing all required mounting components.
- Original thermocouple material strips

Wire size

- Accepts wires up to 2,5²

Temperature rating

- 100 °C Max.

Contact Material	Fe	NiCr	Cu	Co	NiAl	Alloy#11
Calibration Code	JP	KP	TP/RP	JN/EN/TN	KN	RN
Partnumber	RTB-JP	RTB-KP	RTB-TP/RP	RTB-J/E/TN	RTB-KN	RTB-RN

Mounting kit Part Nr: 20.169-1

Mounting kits contains all components required for mounting and properly coding up to a maximum of 18 circuits.

Mounting kit consists:

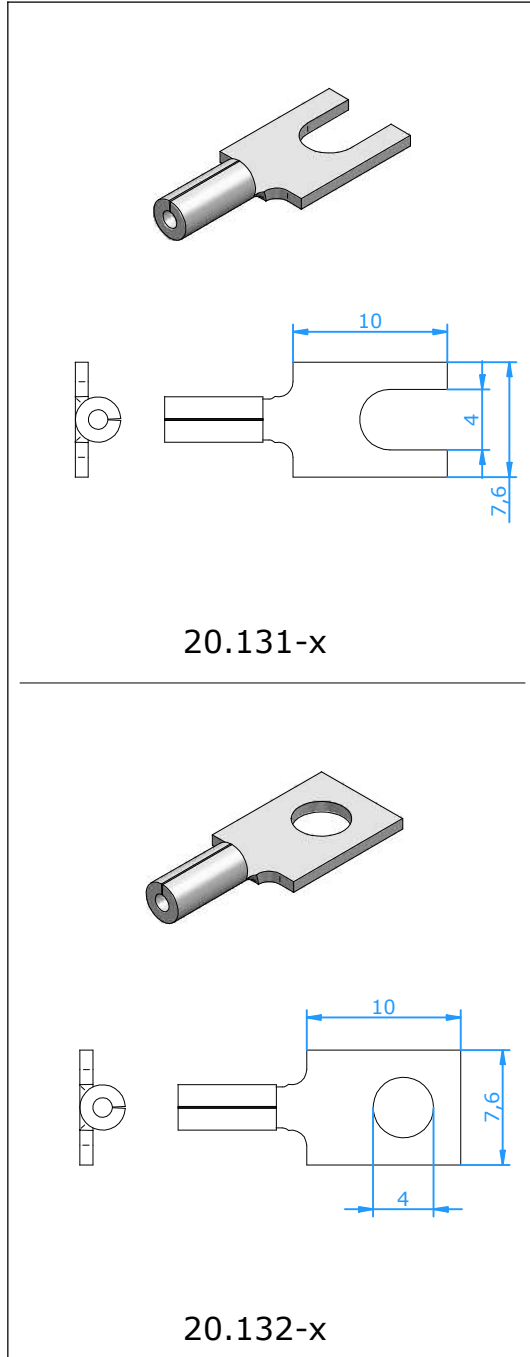
- Rail 200 mm long
- Endplate
- Two end stops
- Circuit identification 1 thru 25

For terminal blocks over 18 circuits please contact factory.



Terminals

Lugs



Application

To be used as wire termination on thermocouples or on wires fitted into terminal blocks.

Construction

- Solid thermocouple material
- Wire size up to 1,2 mm

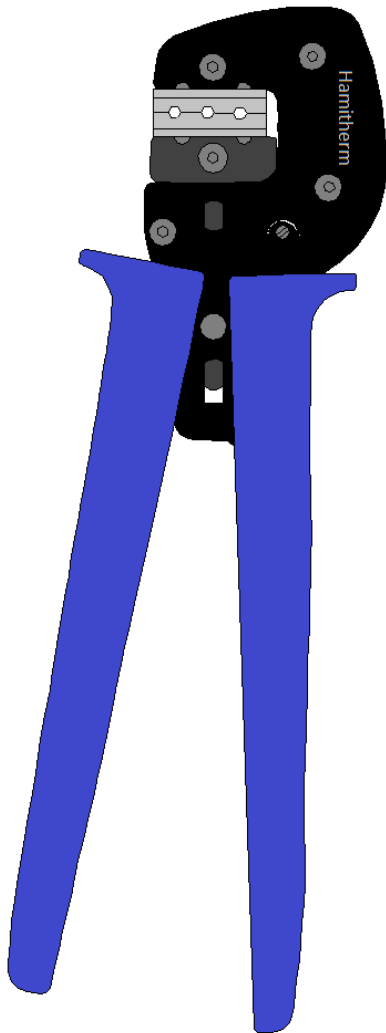
Material	Code	Part No.
Chromel	KP/EP	20.131-1
Iron	JP	20.131-2
Copper	TP/RP	20.131-3
Nicrosil	NP	20.131-4
Alumel	KN	20.131-5
Constantan	EN/JN/TN	20.131-6
Alloy#11	RN	20.131-7
Nisil	NN	20.131-8

Material	Code	Part No.
Chromel	KP/EP	20.132-1
Iron	JP	20.132-2
Copper	TP/RP	20.132-3
Alumel	KN	20.132-5
Constantan	EN/JN/TN	20.132-6



Tooling

Crimping tool Crimp-Inserts



Application

Crimping tool to be used for crimp inserts. Compactible with 3 different jaw sets.

Construction

- Hardened steel crimping tool with plastic handgrip.
- Full cycle crimp mechanism.

Accessories:

Crimping Jaw set 2,4 to 5,8mm:

For crimp inserts OD 2,4 – 3,2 – 4,3 – 4,5 – 5,8mm

Crimping Jaw set 6 to 7,9mm:

For crimp inserts OD 6 – 6,5 – 7,9mm

Crimping Jaw set 9 to 10mm:

For crimp inserts OD 9 – 10mm

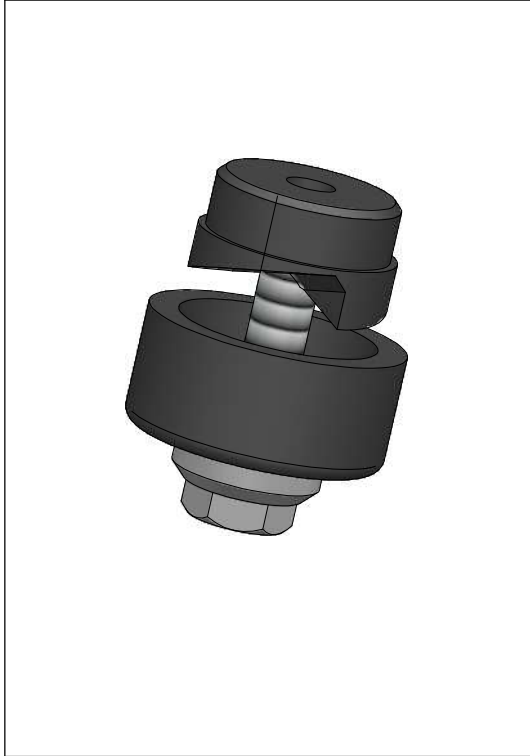
Ordering Code:

20.240	Crimping tool with Jaw sets 2,4 to 10mm
20.573	Crimping Jaw set 2,4 to 5,8mm
20.574	Crimping Jaw set 6 to 7,9mm
20.575	Crimping Jaw set 9 to 10mm



Tooling

Panel Punch



Application

Panel punch can be used to make a round panel cutout in a time saving and accurate way.

Specification

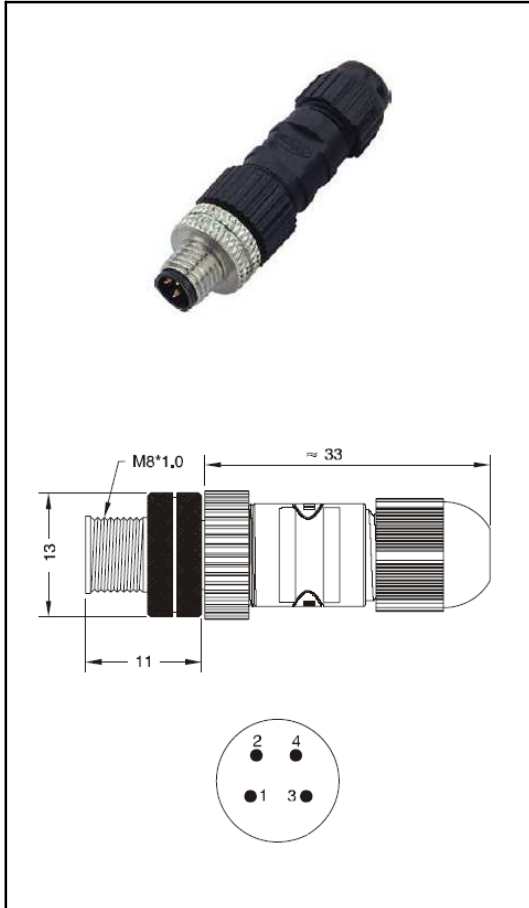
- Punches mild steel, aluminium, fiberglass and plastic.
- Mild steel upto 3,5 mm.
- The punch splits the slugs for easy removal.

Part Nr.	20.366	PMIR	17,5 mm, 11/16"
	20.367	PSIR	27 mm, 1-1/16"



M8 Connectors

Connector Plug M8



Application

Connector for instrumentation and RTD circuits upto 4 wires.

Construction

- Glass filled thermoplastic body with 4 gold plated brass contacts (no thermocouple/compensation material available).
- Construction of pin assignment ensure proper connection.
- IP-67 Protection degree, only in locked position with it's proper counterparts.
- M8 Self locking threaded joint, nickel plated brass
- Terminals for soldering

Wire size

- Accepts wires up to 0,34 mm².
- Cable diameter 3-5 mm.
- Cable gland PG7

Temperature rating

- -25°C up to 90°C

Color Code

- Black.

Standard:

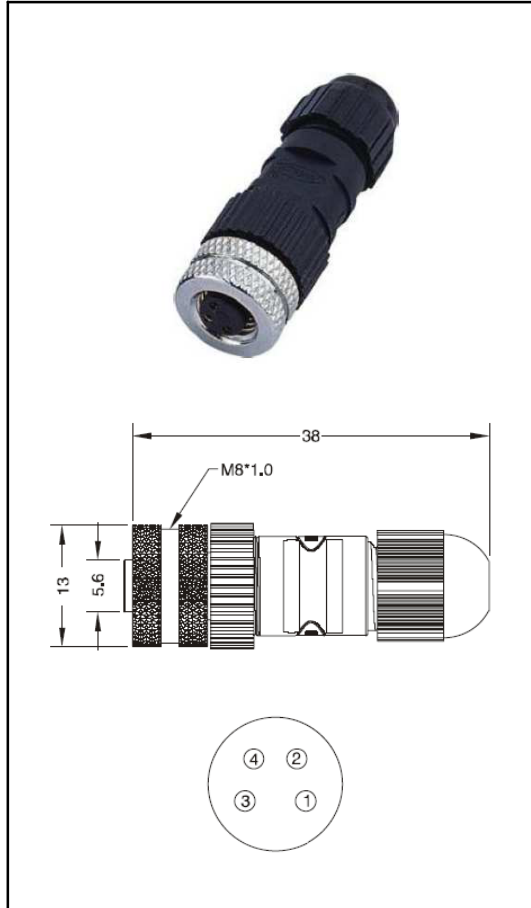
- IEC 61076-2-101.

Ordering Code: **PM8-4-SSOL**



M8 Connectors

Connector Jack M8



Application

Connector for instrumentation and RTD circuits upto 4 wires.

Construction

- Glass filled thermoplastic body with 4 gold plated brass contacts (no thermocouple/compensation material available).
- Construction of pin assignment ensure proper connection.
- IP-67 Protection degree, only in locked position with it's proper counterparts.
- M8 Self locking threaded joint, nickel plated brass
- Terminals for soldering

Wire size

- Accepts wires up to 0,34 mm².
- Cable diameter 3-5 mm.
- Cable gland PG7

Temperature rating

- -25°C up to 90°C

Color Code

- Black.

Standard:

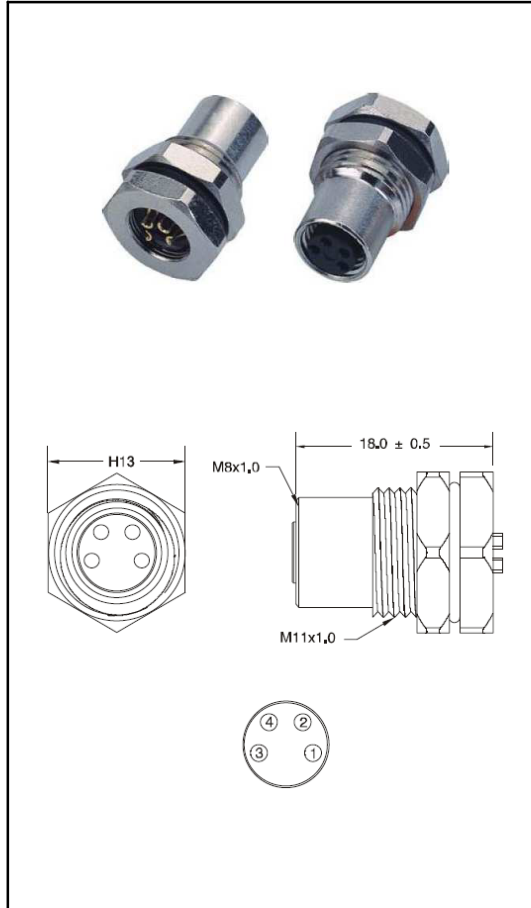
- IEC 61076-2-101.

Ordering Code: JM8-4-SSOL



M8 Connectors

Panel Insert M8



Application

Panel connector for instrumentation and RTD circuits upto 4 wires.

Construction

- Glass filled thermoplastic body with 4 gold plated brass contacts (no thermocouple/compensation material available).
- Construction of pin assignment ensure proper connection.
- IP-67 Protection degree, only in locked position with it's proper counterparts.
- M8 Self locking threaded joint, nickel plated brass
- Terminals for soldering

Wire size

- Accepts wires up to 0,25 mm².

Temperature rating

- -25°C up to 90°C

Color Code

- Black.

Standard:

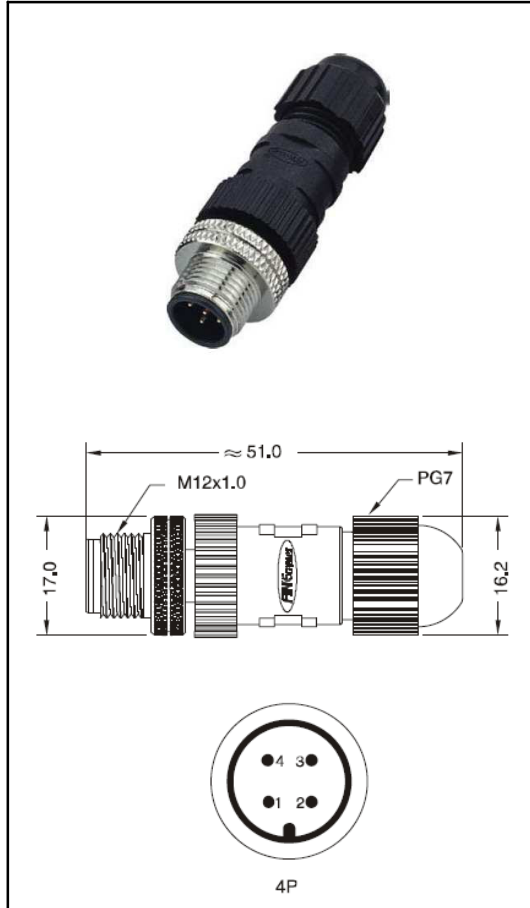
- IEC 61076-2-101.

Ordering Code: **PIM8-4-SSOL**



M12 Connectors

Connector Plug M12



Application

Connector for instrumentation and RTD circuits up to 4 wires.

Construction

- Glass filled thermoplastic body with 4 gold plated brass contacts (no thermocouple/compensation material available).
- Construction of pin assignment ensure proper connection.
- IP-67 Protection degree, only in locked position with it's proper counterparts.
- M12 Self locking threaded joint, nickel plated brass
- Terminals for soldering

Wire size

- Accepts wires up to 0,75 mm².
- Cable diameter 4-6 mm.
- Cable gland PG7

Temperature rating

- -25°C up to 90°C

Color Code

- Black.

Standard:

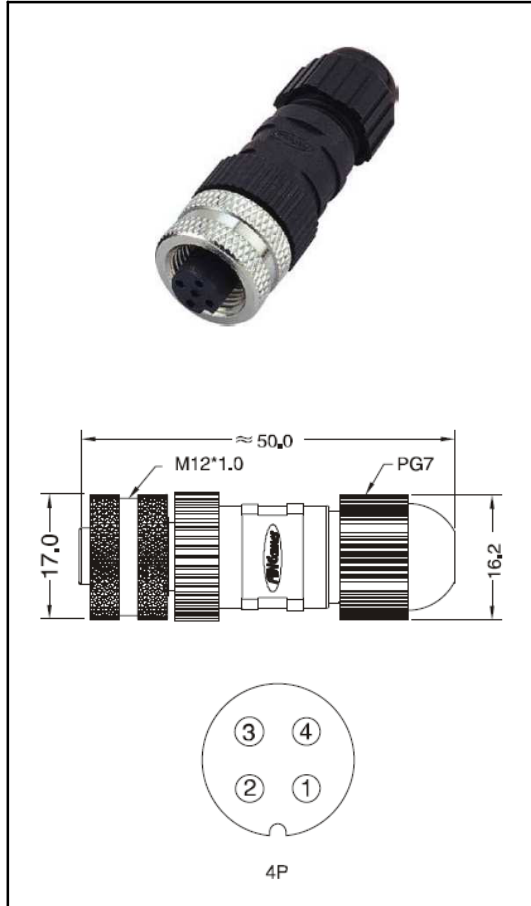
- IEC 61076-2-101.

Ordering Code: **PM12-4-SSOL**



M12 Connectors

Connector Jack M12



Application

Connector for instrumentation and RTD circuits upto 4 wires.

Construction

- Glass filled thermoplastic body with 4 gold plated brass contacts (no thermocouple/compensation material available).
- Construction of pin assignment ensure proper connection.
- IP-67 Protection degree, only in locked position with it's proper counterparts.
- M12 Self locking threaded joint, nickel plated brass
- Terminals for soldering

Wire size

- Accepts wires up to 0,75 mm².
- Cable diameter 4-6 mm.
- Cable gland PG7

Temperature rating

- -25°C up to 90°C

Color Code

- Black.

Standard:

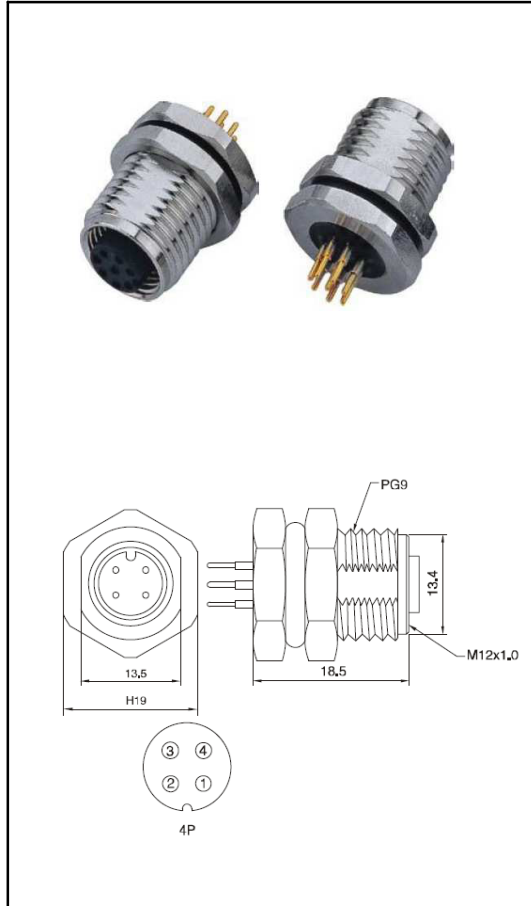
- IEC 61076-2-101.

Ordering Code: **JM12-4-SSOL**



M12 Connectors

Panel Insert M12



Application

Panel connector for instrumentation and RTD circuits upto 4 wires.

Construction

- Glass filled thermoplastic body with 4 gold plated brass contacts (no thermocouple/compensation material available).
- Construction of pin assignment ensure proper connection.
- IP-67 Protection degree, only in locked position with it's proper counterparts.
- M12 Self locking threaded joint, nickel plated brass
- Terminals for soldering

Wire size

- Accepts wires up to 0,75 mm².

Temperature rating

- -25°C up to 90°C

Color Code

- Black.

Standard:

- IEC 61076-2-101.

Ordering Code: **PIM12-4-SSOL**